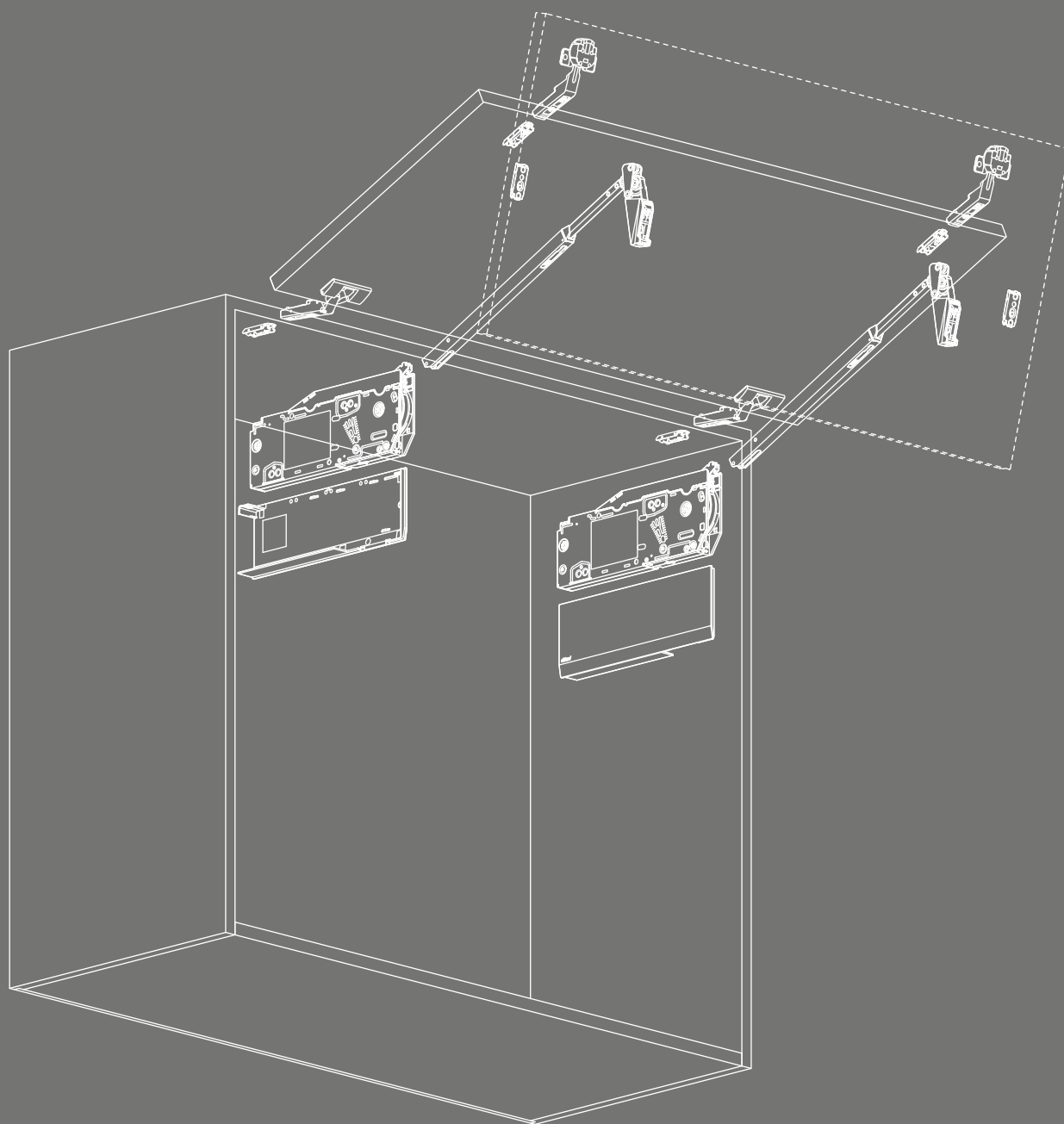


# AVENTOS top

## Ordering information and planning



# The latest generation in our comprehensive repertoire

Our AVENTOS lift systems have been reliably used in wall and tall cabinets for more than two decades. It was time for an evolution: we have reduced the size, optimised the functions and adapted the design. With the fittings from the latest generation of AVENTOS top, you can masterfully stage individual furniture items or entire living spaces without compromise.





## Contents

- 4** Living world
- 5** Services
- 6** Overview of cabinet heights
- 8** AVENTOS HF top
- 20** AVENTOS HS top
- 26** AVENTOS HL top
- 32** AVENTOS HK top
- 40** AVENTOS HK-S
- 46** AVENTOS HK-XS
- 52** TIP-ON
- 54** EXPANDO T
- 55** Assembly devices
- 56** SERVO-DRIVE



## Uniquely arranged. Across all living areas

With their compact size and minimalist design, the lift systems from the AVENTOS top range fit perfectly into every piece of furniture and every living space. Depending on your requirements and the space available, you can find a suitable and reliable solution with AVENTOS HF top, HS top, HL top and HK top. Freedom of movement and optimal access are maintained at all times – no matter whether fronts fold up, swing up and over, lift up or pivot up.



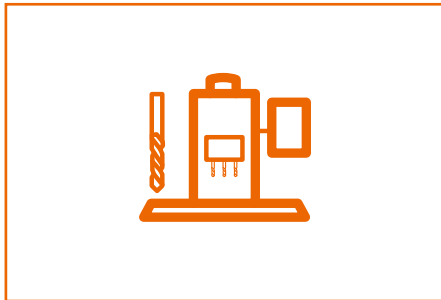
Detailed information  
on AVENTOS top at:  
[www.blum.com/aventostop](http://www.blum.com/aventostop)

# Our services at a glance

Our services are customised to your specific needs, for every step along your process chain, allowing you to work more efficiently and therefore save time. Tailored to you and available when and where you need them.



**Digital services**  
Digital support for more efficiency



**Assembly devices**  
Practical tools for precise work



**Communication services**  
Comprehensive material for targeted marketing



**Personal services**  
Direct contact for customer-focussed support



**Logistics services**  
Optimised processes for quick delivery



Find out more about our Services:  
[www.blum.com/services](http://www.blum.com/services)

# The right tool for every composition

AVENTOS HK-S

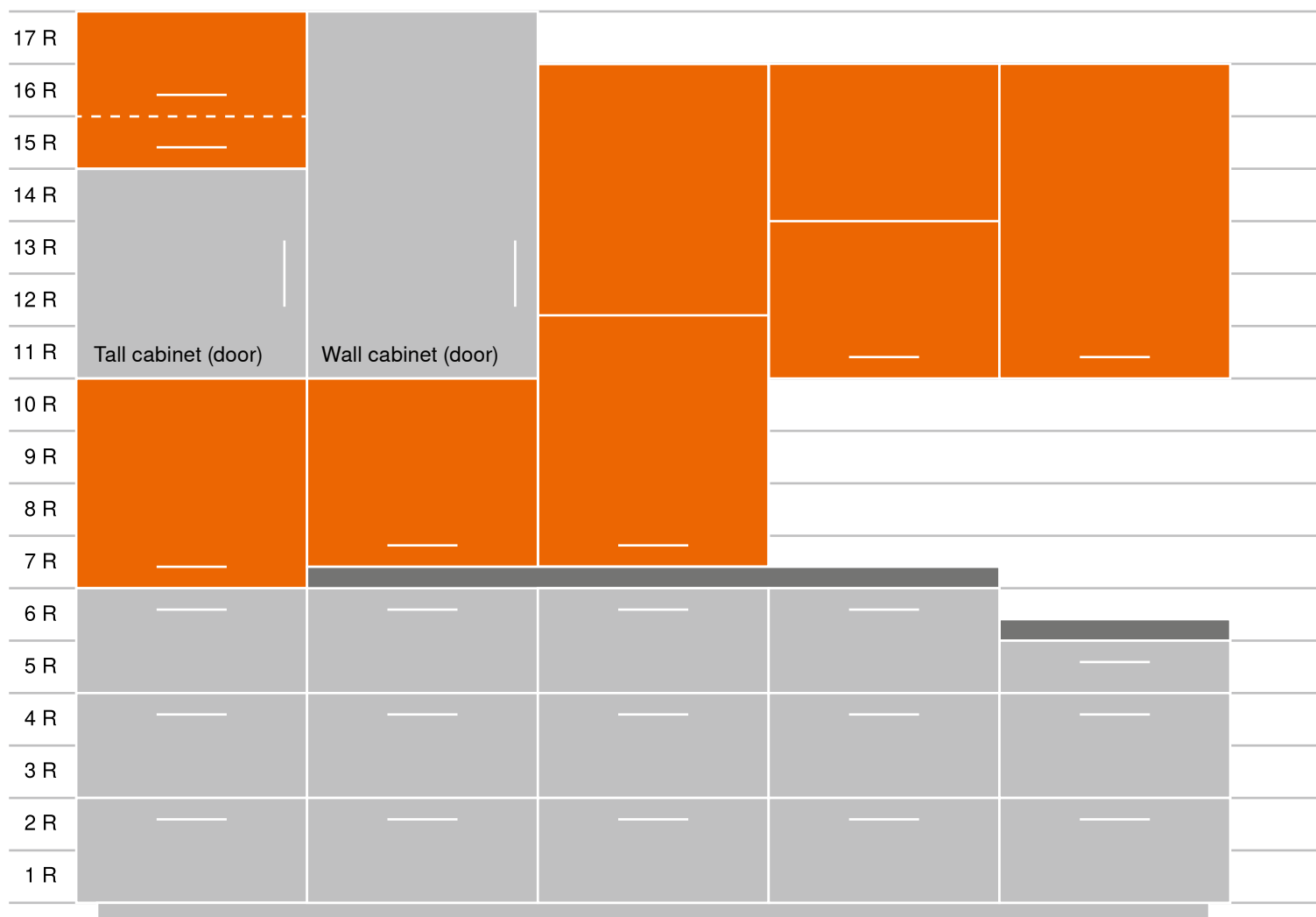
AVENTOS HL top

AVENTOS HF top

AVENTOS HF top

AVENTOS HS top

AVENTOS HL top  
AVENTOS HK top



R = tier system



AVENTOS HF top

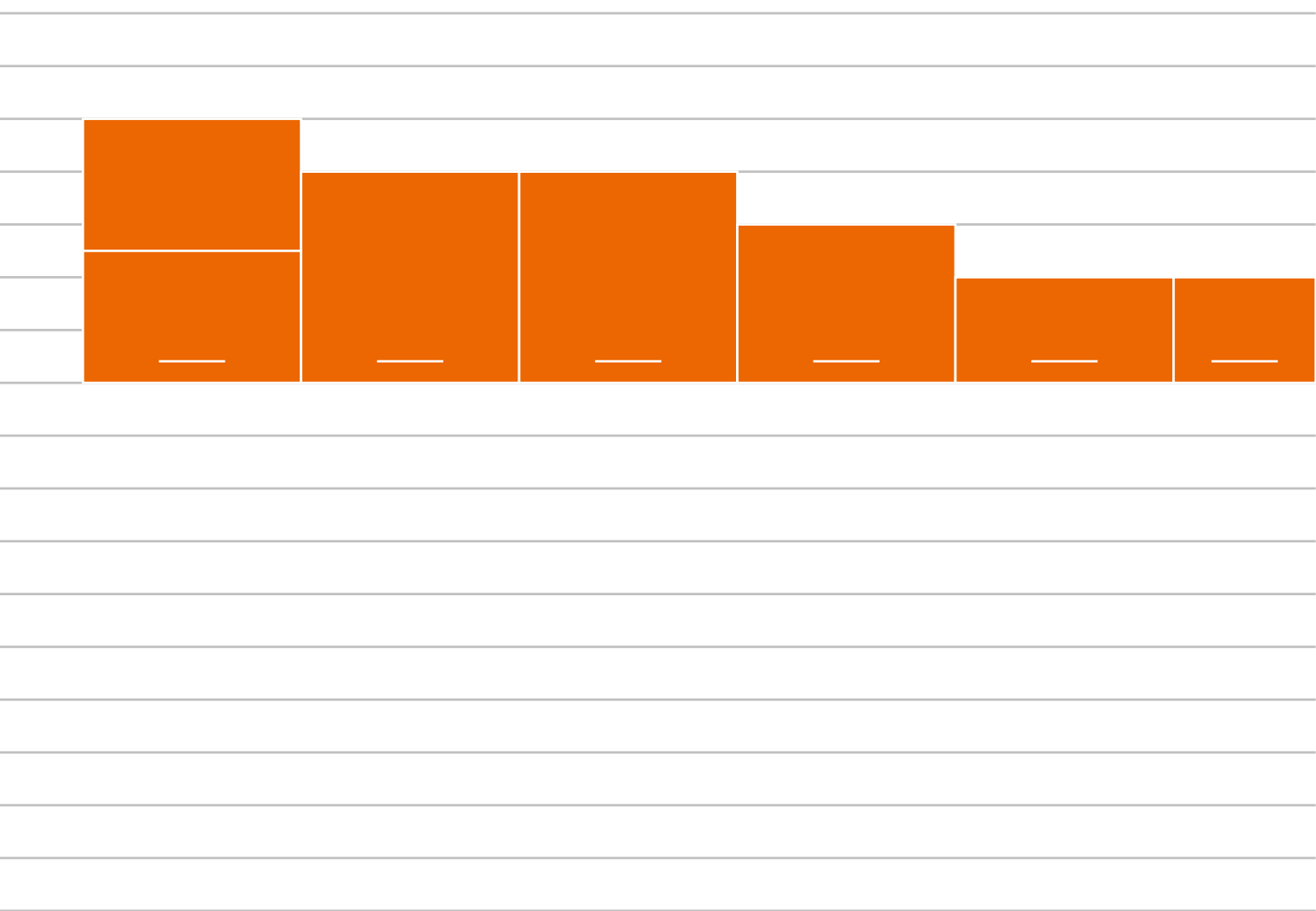
AVENTOS HS top

AVENTOS HS top  
AVENTOS HL top  
AVENTOS HK top

AVENTOS HS top  
AVENTOS HL top  
AVENTOS HK top

AVENTOS HK top

AVENTOS HK-S  
AVENTOS HK-XS

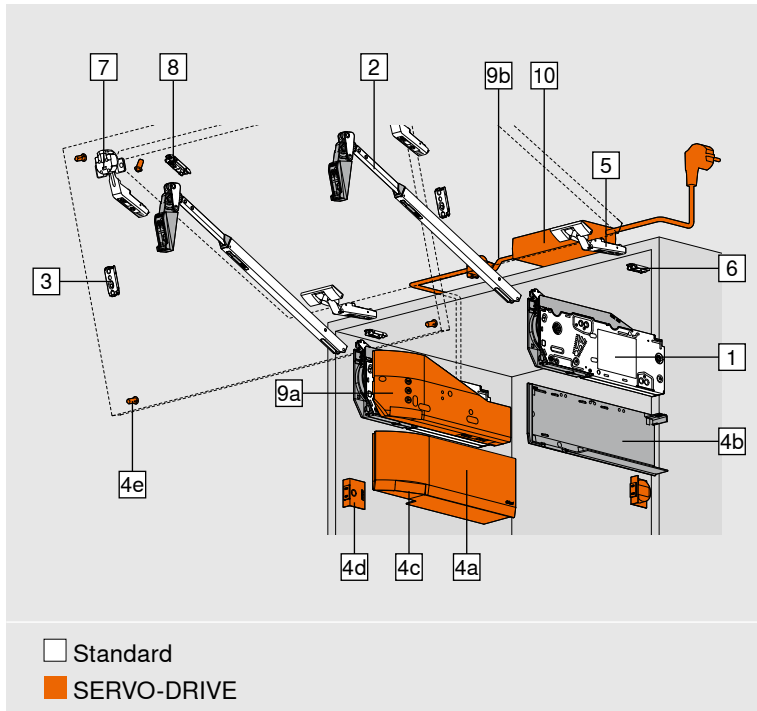


# AVENTOS HF top





**Wooden fronts and wide aluminium frames**



- Ideal for higher wall cabinets with bi-fold fronts
- Cabinet height 480–1200 mm
- Cabinet width up to 1800 mm
- Internal depth of at least 264 mm
- Integrated BLUMOTION adjustment feature for soft and effortless closing
- Light operating forces
- Variable stop
- Integrated opening angle stop
- Fixed position of the lift mechanism and front fixing bracket
- Symmetrical lever arm
- Tool-free assembly
- Two lift mechanism fixing methods
- 3-dimensional adjustment of both fronts
- Centre hinge with finger safety feature

**Ordering information**

**Note**

**Power factor (LF) = cabinet height\* (KH) [mm] x front weight including handle weight [kg]**

\* Calculate with theoretical cabinet height (TKH) for asymmetrical fronts

For asymmetrical fronts: **theoretical cabinet height TKH** = front height top FHo (mm) x 2 + gaps

The larger front must be at the top for asymmetrical fronts.

We recommend the more powerful lift mechanism for applications in overlapping ranges. A trial application is recommended when you are in a borderline area of the individual lift mechanism.

The power factor can be increased by 50% when using a third lift mechanism. We recommend a third lift mechanism for wide cabinets. This will prevent the front from sagging when open.

<b>1</b>	<input type="checkbox"/>	<input checked="" type="checkbox"/>	<b>Lift mechanism set</b>
	Fixing with chipboard screws with positioning system		
<b>LF</b>			
	2700–13500		<b>22F2500</b>
	10000–19300		<b>22F2800</b>
<b>LF</b>	<b>Power factor</b>		
<b>Consisting of:</b>			
<b>1</b>	2 x	Symmetrical lift mechanism	
-	-	incl. positioning system	
-	8 x	Chipboard screws Ø 4 x 35 mm	

<b>1</b>	<input type="checkbox"/>	<input checked="" type="checkbox"/>	<b>Lift mechanism set</b>
	Fixing with pre-mounted system screws		
<b>LF</b>			
	2700–13500		<b>22F2510</b>
	10000–19300		<b>22F2810</b>
<b>LF</b>	<b>Power factor</b>		
<b>Consisting of:</b>			
<b>1</b>	2 x	Symmetrical lift mechanism with pre-mounted system screws	

## Wooden fronts and wide aluminium frames

## Ordering information

2		<b>Telescopic arm set</b>	
		<b>Cabinet height (mm)*</b>	
		480–610	22F3200
		600–910	22F3500
		840–1200	22F3900

## Consisting of:

2 2 x Symmetrical telescopic arm

 \* For asymmetrical fronts: **theoretical cabinet height TKH** = front height top FHo (mm) x 2 + gaps

3		<b>Mounting plate for telescopic arm</b>	
		<b>Fixing method</b>	<b>Spacing (mm)</b>
		Screw-on <sup>1</sup>	0
		EXPANDO	0
		Knock-in	0

All horizontal steel mounting plates with 0 mm spacing possible

4		<b>Cover cap set</b>	
		<b>Colour</b>	<b>Material</b>
		SW, HGR, TGR	K

## Consisting of:

- 1 x Cover cap left

4b 1 x Cover cap right

 4c 2 x Branding element, embossed with Blum logo  
IN-G

4		<b>Cover cap set for SERVO-DRIVE</b>	
		<b>Colour</b>	<b>Material</b>
		SW, HGR, TGR	K

## Consisting of:

4a 1 x SERVO-DRIVE cover cap left

4b 1 x Cover cap right

 4c 2 x Branding element, embossed with Blum logo  
IN-G

4d 2 x SERVO-DRIVE switch

4e 6 x Blum distance bumper Ø 5 mm

5		<b>CLIP top 120° hinge</b>	
		<b>Boss</b>	<b>Spring</b>
		INSERTA	Unsprung
		Screw-on <sup>1</sup>	Unsprung

**Boss overlay TO (fixed dimension)**
**11 mm**

3 hinges starting at cabinet width KB 1200 mm and/or 12 kg front weight

4 hinges for cabinet width KB 1800 mm and/or starting at 20 kg front weight

## Alternative to 5

-		<b>CLIP top 120° special hinge for larger front overlay</b>	
		<b>Boss</b>	<b>Spring</b>
		INSERTA	Unsprung
		Screw-on <sup>1</sup>	Unsprung

**Boss overlay TO (fixed dimension)**
**13 mm**

3 hinges starting at cabinet width KB 1200 mm and/or 12 kg front weight

4 hinges for cabinet width KB 1800 mm and/or starting at 20 kg front weight

6		<b>Mounting plate for CLIP top 120° hinge</b>	
		<b>Fixing method</b>	<b>Spacing (mm)</b>
		Screw-on <sup>1</sup>	0
		EXPANDO	0
		Knock-in	0

Standard mounting plates, spacing depends on the upper front overlay

7		<b>CLIP top centre hinge</b>	
		<b>Boss</b>	<b>Spring</b>
		Screw-on <sup>1</sup>	Unsprung
		EXPANDO	Unsprung

3 hinges starting at cabinet width KB 1200 mm and/or 12 kg front weight

4 hinges for cabinet width KB 1800 mm and/or starting at 20 kg front weight

8		<b>Mounting plate for CLIP top centre hinge</b>	
		<b>Fixing method</b>	<b>Spacing (mm)</b>
		Screw-on <sup>1</sup>	0
		EXPANDO	0
		Knock-in	0



Standard mounting plates with 0 mm spacing

Only use cruciform mounting plates for wide aluminium frames under a 57 mm frame width



<sup>1</sup> Use 2 chipboard screws (609.1x00) per side for wooden fronts.  
Use 2 countersunk self-tapping screws (660.0950) per side for wide aluminium frames.

## Wooden fronts and wide aluminium frames

### Ordering information

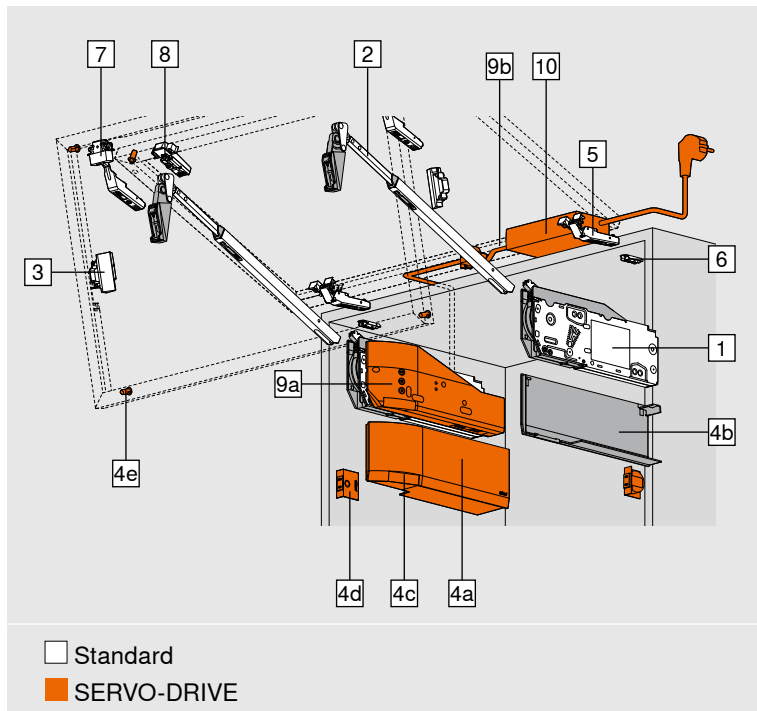
<b>9</b>		<b>SERVO-DRIVE set</b>		
	<b>Colour</b>	<b>Material</b>		
	R7037	K	23.A000	
<b>Consisting of:</b>				
<b>9a</b>	1 x	SERVO-DRIVE drive unit		
<b>9b</b>	1 x	SERVO-DRIVE distribution cable, 1500 mm		
-	1 x	Connecting node		
-	2 x	Cable end protector		
For three lift mechanisms or more, we recommend two synchronised drive units				
<b>10</b>	<b>SERVO-DRIVE power supply unit and accessories</b>			
See page 56				

### Optional

<b>4c</b>		<b>Branding element</b>		
	<b>Material</b>	<b>Colour</b>		
	K	SW-M, TGR	IN-G	
Printed *	2 x	ABD.1000.BL	ABD.1009.BL	
Embossed *	2 x	ABD.1000.BT	ABD.1009.BT	
Plain	2 x	ABD.1000	ABD.1009	
* With Blum logo				
<b>From 1000 pcs:</b>				
Customised, printed branding element				
<b>From 5000 pcs:</b>				
Customised, embossed branding element				

### Colours and material

Name	
SW	Silk white
HGR	Light grey
TGR	Dark grey
R7037	RAL 7037 dust grey
SW-M	Silk white matt
IN-G	In-mould brushed stainless steel
K	Nylon

**Narrow aluminium frames**


- Ideal for higher wall cabinets with bi-fold fronts
- Cabinet height 480–1200 mm
- Cabinet width up to 1800 mm
- Internal depth of at least 264 mm
- Integrated BLUMOTION adjustment feature for soft and effortless closing
- Light operating forces
- Variable stop
- Integrated opening angle stop
- Fixed position of the lift mechanism and front fixing bracket
- Symmetrical lever arm
- Tool-free assembly
- Two lift mechanism fixing methods
- 3-dimensional adjustment of both fronts
- Centre hinge with finger safety feature

**Ordering information**
**Note**

**Power factor (LF) = cabinet height\* (KH) [mm] x front weight including handle weight [kg]**

\* Calculate with theoretical cabinet height (TKH) for asymmetrical fronts

For asymmetrical fronts: **theoretical cabinet height TKH** = front height top FHo (mm) x 2 + gaps

The larger front must be at the top for asymmetrical fronts.

We recommend the more powerful lift mechanism for applications in overlapping ranges. A trial application is recommended when you are in a borderline area of the individual lift mechanism.

The power factor can be increased by 50% when using a third lift mechanism. We recommend a third lift mechanism for wide cabinets. This will prevent the front from sagging when open.

1	<input type="checkbox"/> Standard <input type="checkbox"/> SERVO-DRIVE	Lift mechanism set	
		Fixing with chipboard screws with positioning system	
	LF		
	2700–13500		22F2500
		10000–19300	22F2800
LF	Power factor		
<b>Consisting of:</b>			
1	2 x	Symmetrical lift mechanism	
-	-	incl. positioning system	
-	8 x	Chipboard screws Ø 4 x 35 mm	

1	<input type="checkbox"/> Standard <input type="checkbox"/> SERVO-DRIVE	Lift mechanism set	
		Fixing with pre-mounted system screws	
	LF		
	2700–13500		22F2510
		10000–19300	22F2810
LF	Power factor		
<b>Consisting of:</b>			
1	2 x	Symmetrical lift mechanism with pre-mounted system screws	

**Narrow aluminium frames**

**Ordering information**

	<b>2</b>	<input type="checkbox"/>	<b>Telescopic arm set</b>	
	<b>Cabinet height (mm)*</b>			
	480–610			<b>22F3200</b>
	600–910			<b>22F3500</b>
840–1200			<b>22F3900</b>	

**Consisting of:**

2 2 x Symmetrical telescopic arm

\* For asymmetrical fronts: **theoretical cabinet height TKH = front height top FHo (mm) x 2 + gaps**

	<b>3</b>	<input type="checkbox"/>	<b>CLIP adapter plate set for telescopic arms</b>	
	<b>Version</b>		<b>Spacing (mm)</b>	
	Left/right		0	<b>175H5B00</b>

	<b>4</b>	<input type="checkbox"/>	<b>Cover cap set</b>	
	<b>Colour</b>		<b>Material</b>	
	SW, HGR, TGR		K	<b>22.8000</b>

**Consisting of:**

- 1 x Cover cap left

**4b** 1 x Cover cap right

**4c** 2 x Branding element, embossed with Blum logo  
IN-G

	<b>4</b>	<input type="checkbox"/>	<b>Cover cap set for SERVO-DRIVE</b>	
	<b>Colour</b>		<b>Material</b>	
	SW, HGR, TGR		K	<b>23.8000</b>

**Consisting of:**

**4a** 1 x SERVO-DRIVE cover cap left

**4b** 1 x Cover cap right

**4c** 2 x Branding element, embossed with Blum logo  
IN-G

**4d** 2 x SERVO-DRIVE switch

**4e** 6 x Blum distance bumper Ø 5 mm

	<b>5</b>	<input type="checkbox"/>	<b>CLIP top 120° aluminium frame door hinge</b>	
	<b>Boss</b>		<b>Spring</b>	
	Screw-on		Unsprung	<b>72T550A.TL</b>

3 hinges starting at cabinet width KB 1200 mm and/or 12 kg front weight

4 hinges for cabinet width KB 1800 mm and/or starting at 20 kg front weight

	<b>6</b>	<input type="checkbox"/>	<b>Mounting plate for CLIP top 120° hinge</b>	
	<b>Fixing method</b>		<b>Spacing (mm)</b>	
	Screw-on		0	<b>175H3100</b>
	EXPANDO		0	<b>177H3100E</b>
Knock-in		0	<b>177H3100</b>	

Standard mounting plates, spacing depends on the upper front overlay

	<b>7</b>	<input type="checkbox"/>	<b>CLIP top aluminium centre hinge</b>	
	<b>Boss</b>		<b>Spring</b>	
	Screw-on		Unsprung	<b>78Z550AT</b>

3 hinges starting at cabinet width KB 1200 mm and/or 12 kg front weight

4 hinges for cabinet width KB 1800 mm and/or starting at 20 kg front weight

	<b>8</b>	<input type="checkbox"/>	<b>CLIP adapter plate for centre hinges</b>	
	<b>Version</b>		<b>Spacing (mm)</b>	
	Symmetrical		0	<b>175H5A00</b>

	<b>9</b>	<input type="checkbox"/>	<b>SERVO-DRIVE set</b>	
	<b>Colour</b>		<b>Material</b>	
	R7037		K	<b>23.A000</b>

**Consisting of:**

**9a** 1 x SERVO-DRIVE drive unit

**9b** 1 x SERVO-DRIVE distribution cable, 1500 mm

- 1 x Connecting node

- 2 x Cable end protector

For three lift mechanisms or more, we recommend two synchronised drive units

<b>10</b>	<b>SERVO-DRIVE power supply unit and accessories</b>
See page 56	

**Optional**

	<b>4c</b>	<input type="checkbox"/>	<b>Branding element</b>	
	<b>Material</b>		<b>Colour</b>	
	K		SW-M, TGR	IN-G
Printed *		2 x	<b>ABD.1000.BL</b>	<b>ABD.1009.BL</b>
Embossed *		2 x	<b>ABD.1000.BT</b>	<b>ABD.1009.BT</b>
Plain		2 x	<b>ABD.1000</b>	<b>ABD.1009</b>

\* With Blum logo

**From 1000 pcs:**

Customised, printed branding element

**From 5000 pcs:**

Customised, embossed branding element

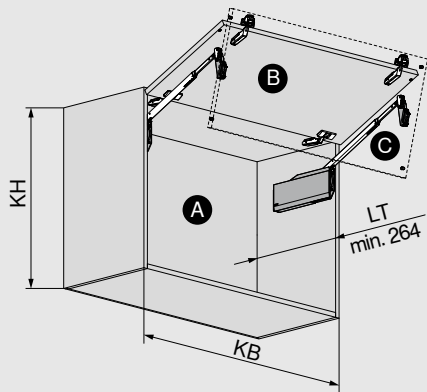
**Colours and material**

Name	
SW	Silk white
HGR	Light grey
TGR	Dark grey
R7037	RAL 7037 dust grey
SW-M	Silk white matt
IN-G	In-mould brushed stainless steel
K	Nylon

Wooden fronts, wide and narrow aluminium frames

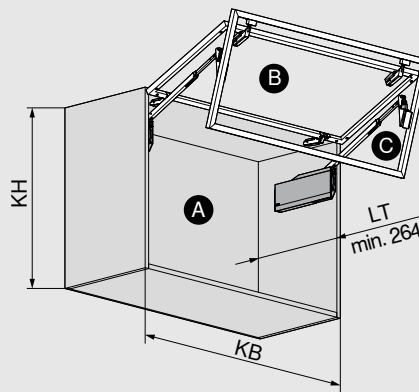
Planning

Wooden fronts and wide aluminium frames (symmetrical)



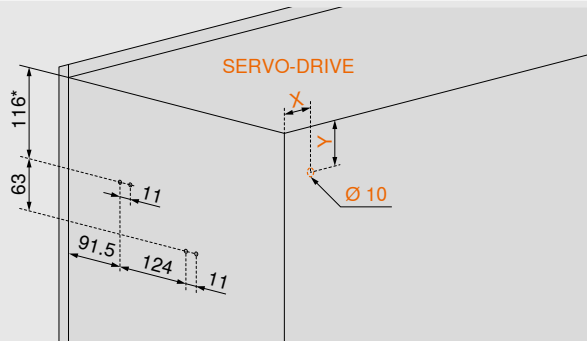
- A Cabinet
- B Front 1
- C Front 2
- KB Cabinet width
- KH Cabinet height
- LT Internal cabinet depth

Narrow aluminium frames (symmetrical)



- A Cabinet
- B Front 1
- C Front 2
- KB Cabinet width
- KH Cabinet height
- LT Internal cabinet depth

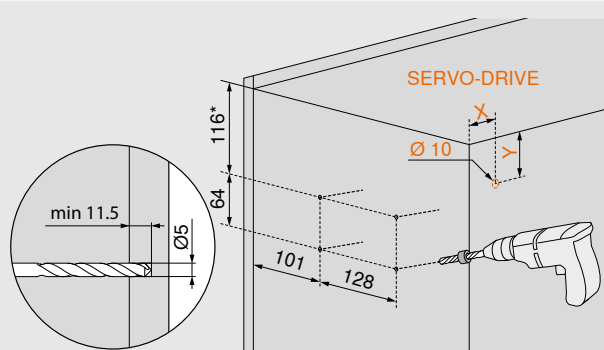
Fixing position for lift mechanism with chipboard screws incl. positioning system



Cabinet height KH (mm)	X (mm)	Y (mm)
480–519	38.5	102
520–1200	38.5	124
4 x chipboard screws Ø 4 x 35 mm		

\* 116 mm for cabinet height KH 520–1200 mm  
93 mm for cabinet height KH 480–519 mm

Fixing position for lift mechanism with pre-mounted system screws



Cabinet height KH (mm)	X (mm)	Y (mm)
480–519	38.5	102
520–1200	38.5	124

\* 116 mm for cabinet height KH 520–1200 mm  
93 mm for cabinet height KH 480–519 mm

Wooden fronts, wide and narrow aluminium frames

Planning

**Space requirement**

KH Cabinet height

**Space requirement upper**

$X_{max} = FH \times 0.9 + 1.5 \times FD + 35$

Opening angle stop	Y (mm)
Unsprung	$FH \times 0.44 + 38$
107°	$FH \times 0.29 + 35$
97°	$FH \times 0.12 + 31$
88°	28
81°	0

FD Front thickness  
FH Front height

**Symmetrical front**

$KH = FHo \times 2 + F1 + F2 + F3$

F1	Gap 1
F2	Gap 2
F3	Gap 3
FHo	Front height top
FHu	Lower front height
KH	Cabinet height

**Asymmetrical front**

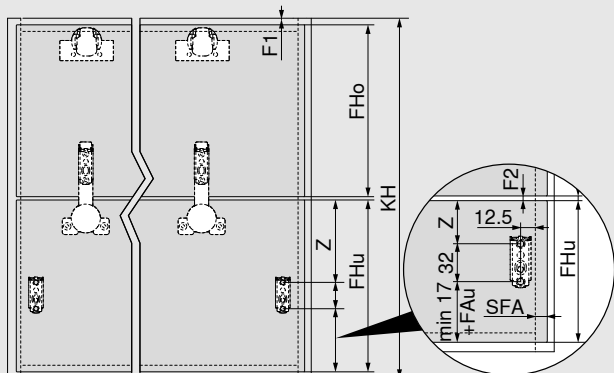
$TKH = FHo \times 2 + F1 + F2 + F3$

F1	Gap 1
F2	Gap 2
F3	Gap 3
FHo	Front height top
FHu	Lower front height
TKH	Theoretical cabinet height

Wooden fronts and wide aluminium frames

Planning

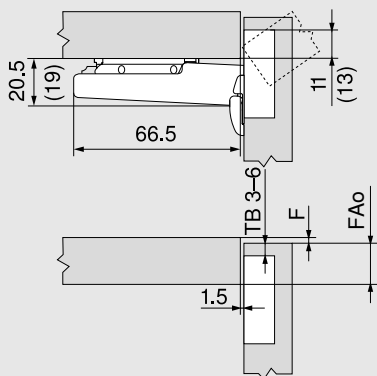
Wood and wide aluminium frames



Cabinet height KH (mm)	Z (mm)
480–519	170
520–1200	189

- F1 Gap 1
- F2 Gap 2
- FAu Bottom front overlay
- FHo Front height top
- FHu Lower front height
- SFA Side front overlay

CLIP top 120° hinge



F Gap

() CLIP top 120° special hinge

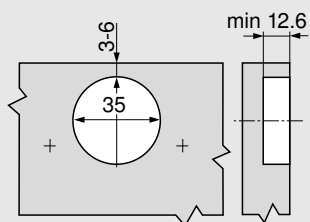
Drilling distance TB

MD	Front overlay FA (mm)																
	5	6	7	8	9	10	11	12	13	14	15	16	17				
0										3	4	5	6				
3							3	4	5	6							
6				3	4	5	6										
9	3	4	5	6													

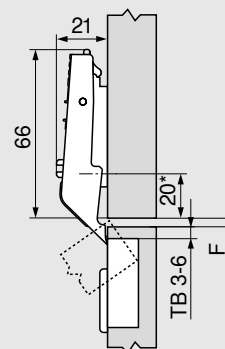
MD Mounting plate spacing (mm)

The front overlay must always be 2 mm bigger for the CLIP top 120° special hinge.

Screw-on assembly



CLIP top centre hinge



F Min. gap 1.5 mm

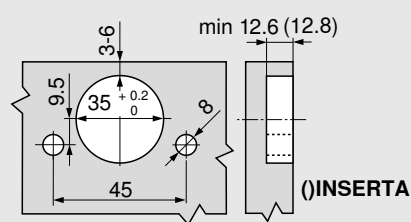
\* 37 mm for cruciform mounting plates (37/32)

Drilling distance TB

MD	Horizontal gap F between fronts (mm)																
														3	4	5	6
0														6	5	4	3
3																	
6																	
9																	

MD Mounting plate spacing (mm)

INSERTA | EXPANDO assembly

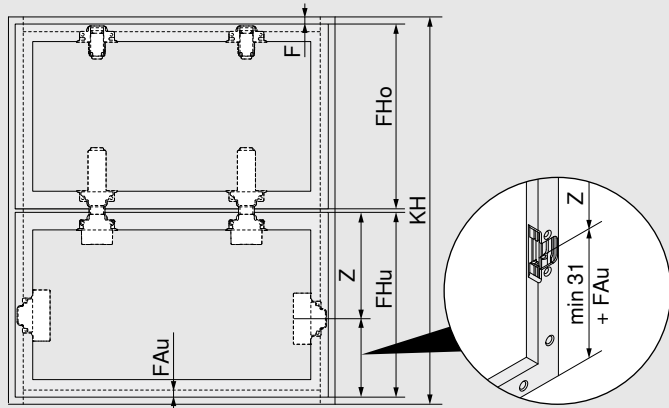




Narrow aluminium frames

Planning

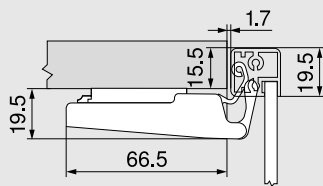
Narrow aluminium frame



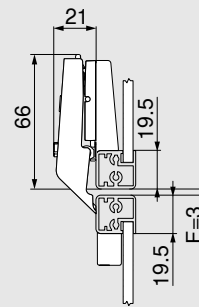
Cabinet height KH (mm)	Z (mm)
480–519	188
520–1200	207

- F Gap
- FAu Bottom front overlay
- FHo Front height top
- FHu Lower front height

CLIP top 120° aluminium frame door hinge

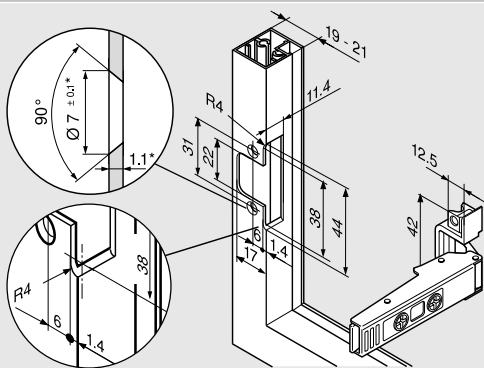


CLIP top aluminium centre hinge



- F Min. gap 1.5 mm
- The gap needs to be adjusted for frame thicknesses over 20.5 mm

Screw-on assembly (hinge | adapter plate)



\* When changing material thickness, adjust the assembly dimensions accordingly



Find more information on assembly and adjustment of AVENTOS HF top at [www.blum.com/hftopassembly](http://www.blum.com/hftopassembly)

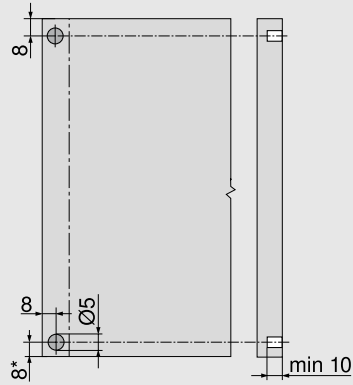
## SERVO-DRIVE for AVENTOS HF top

### Planning

#### Blum distance bumper (SERVO-DRIVE application only)



Insert Blum distance bumper (do not glue)



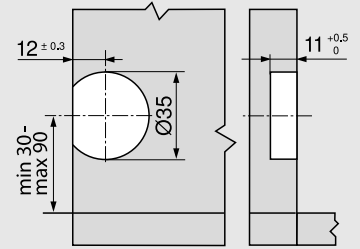
#### Recommendation for aluminium frames

Consider drilling the Blum distance bumper in the cabinet side

A trial application must be carried out when fixing to the front

\* From cabinet bottom edge for fronts that protrude below

#### SERVO-DRIVE switch



Accessories for AVENTOS HF top

Ordering information

Hinge set – wooden fronts



Ordering information

Fixing method

INSERTA | Knock-in | EXPANDO

☎ 78Z5530T11

Consisting of:

2 x	CLIP top 120° hinge unsprung 70T5590BTL
2 x	CLIP top centre hinge unsprung 78Z5530T
6 x	Horizontal cam mounting plate 177H3100

Hinge set – wooden fronts and wide aluminium frames



Ordering information

Fixing method

Screw-on<sup>1</sup>

☎ 78Z5500T12

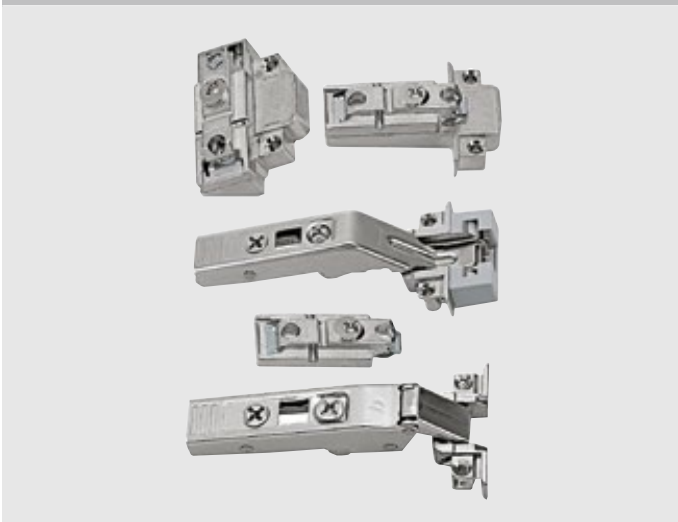
Consisting of:

2 x	CLIP top 120° hinge unsprung 70T5550.TL
2 x	CLIP top centre hinge unsprung 78Z5500T
6 x	Horizontal cam mounting plate 175H3100

<sup>1</sup> Use chipboard screws (609.1x00) for wooden fronts. Use countersunk self-tapping screws (660.0950) for wide aluminium frames.

For wide aluminium frames, an additional cruciform mounting plate is required for the CLIP top centre hinge.

Hinge set – narrow aluminium frames



Ordering information

Fixing method

Screw-on

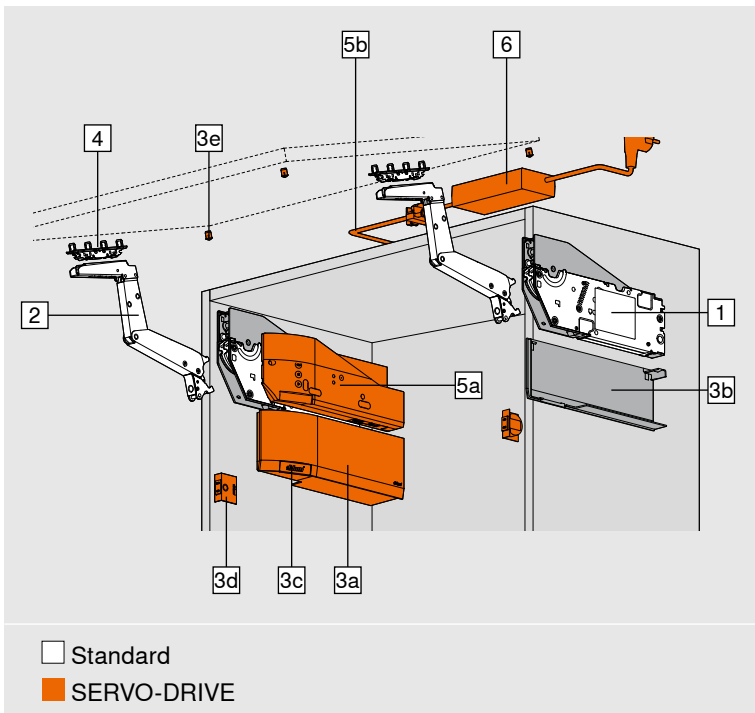
☎ 78Z550AT11

Consisting of:

2 x	CLIP top 120° aluminium frame door hinge unsprung 72T550A.TL
2 x	CLIP top aluminium centre hinge unsprung 78Z550AT
2 x	Horizontal cam mounting plate 175H5400
2 x	CLIP adapter plate symmetric 175H5A00
2 x	CLIP adapter plate left/right 175H5B00

# AVENTOS HS top





- Ideal for large, one-part fronts
- Cabinet height 350–800 mm
- Cabinet width up to 1800 mm
- Internal depth of at least 264 mm
- Integrated BLUMOTION adjustment feature for soft and effortless closing
- Light operating forces
- Variable stop
- Fixed position of the lift mechanism and front fixing bracket
- Symmetrical lever arm
- Tool-free assembly
- Two lift mechanism fixing methods
- 3-dimensional adjustment of the front

### Ordering information

**Note**

We recommend the more powerful lift mechanism for applications in overlapping ranges. A trial application is recommended when you are in a borderline area of the individual lift mechanism.

The power factor can be increased by 50% when using a third lift mechanism. We recommend a third lift mechanism for wide cabinets. This will prevent the front from sagging when open.

1	<input type="checkbox"/>	<input checked="" type="checkbox"/>	Lift mechanism set
	Fixing with chipboard screws with positioning system		
	KH (mm)	FG (kg)	
	350–450	2.00–11.50	22S2200
	450–540	2.50–12.50	22S2500
	480–660	2.75–15.25	22S2800
650–800	3.50–18.50	22S2800	
FG Front weight			
KH Cabinet height			
<b>Consisting of:</b>			
1	2 x	Symmetrical lift mechanism	
-	-	incl. positioning system	
-	8 x	Chipboard screws Ø 4 x 35 mm	

1	<input type="checkbox"/>	<input checked="" type="checkbox"/>	Lift mechanism set
	Fixing with pre-mounted system screws		
	KH (mm)	FG (kg)	
	350–450	2.00–11.50	22S2210
	450–540	2.50–12.50	22S2510
	480–660	2.75–15.25	22S2810
650–800	3.50–18.50	22S2810	
FG Front weight			
KH Cabinet height			
<b>Consisting of:</b>			
1	2 x	Symmetrical lift mechanism with pre-mounted system screws	

## Ordering information

<b>2</b>		<b>Lever arm set</b>		
		<b>Colour</b>	<b>Material</b>	
		NI	Steel	<b>22S3500</b>

### Consisting of:

2 2 x Symmetrical lever arm

<b>3</b>		<b>Cover cap set</b>		
		<b>Colour</b>	<b>Material</b>	
		SW, HGR, TGR	K	<b>22.8000</b>

### Consisting of:

- 1 x Cover cap left

**3b** 1 x Cover cap right

**3c** 2 x Branding element, embossed with Blum logo  
IN-G

<b>3</b>		<b>Cover cap set for SERVO-DRIVE</b>		
		<b>Colour</b>	<b>Material</b>	
		SW, HGR, TGR	K	<b>23.8000</b>

### Consisting of:

**3a** 1 x SERVO-DRIVE cover cap left

**3b** 1 x Cover cap right

**3c** 2 x Branding element, embossed with Blum logo  
IN-G

**3d** 2 x SERVO-DRIVE switch

**3e** 6 x Blum distance bumper Ø 5 mm

<b>4</b>		<b>Front fixing bracket set</b>		
		<b>Version</b>		
		Wooden fronts and wide aluminium frames	<sup>1</sup>	<b>20S4200</b>
		Narrow aluminium frames		<b>20S4200A</b>

<sup>1</sup> Use 4 chipboard screws (609.1x00) per side for wooden fronts.  
Use 4 countersunk self-tapping screws (660.0950) per side for wide aluminium frames.

### Alternative to front fixing bracket set

-		<b>Front fixing bracket</b>		
		<b>Version</b>		
		Thin fronts	2 x	<b>20S42T1</b>

EXPANDO T suitable for thin fronts – see page 54

<b>5</b>		<b>SERVO-DRIVE set</b>		
		<b>Colour</b>	<b>Material</b>	
		R7037	K	<b>23.A000</b>

### Consisting of:

**5a** 1 x SERVO-DRIVE drive unit

**5b** 1 x SERVO-DRIVE distribution cable, 1500 mm

- 1 x Connecting node

- 2 x Cable end protector

For three lift mechanisms or more, we recommend two synchronised drive units

<b>6</b>	<b>SERVO-DRIVE power supply unit and accessories</b>
See page 56	

### Optional

<b>3c</b>		<b>Branding element</b>		
		<b>Material</b>	<b>Colour</b>	
		K	SW-M, TGR	IN-G
		Printed *	2 x	<b>ABD.1000.BL</b> <b>ABD.1009.BL</b>
		Embossed *	2 x	<b>ABD.1000.BT</b> <b>ABD.1009.BT</b>
		Plain	2 x	<b>ABD.1000</b> <b>ABD.1009</b>

\* With Blum logo

### From 1000 pcs:

Customised, printed branding element

### From 5000 pcs:

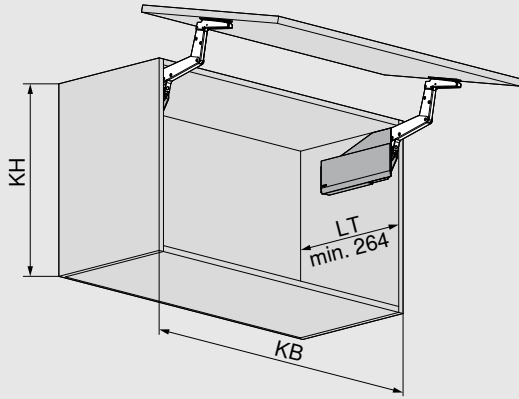
Customised, embossed branding element

### Colours and material

Name	
SW	Silk white
HGR	Light grey
TGR	Dark grey
R7037	RAL 7037 dust grey
SW-M	Silk white matt
NI	Nickel plated
IN-G	In-mould brushed stainless steel
K	Nylon

Planning

Symmetrical wooden fronts

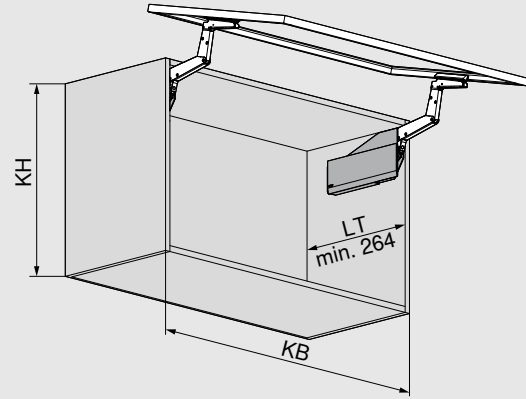


KB Cabinet width

KH Cabinet height

LT Internal cabinet depth

Symmetrical aluminium frames

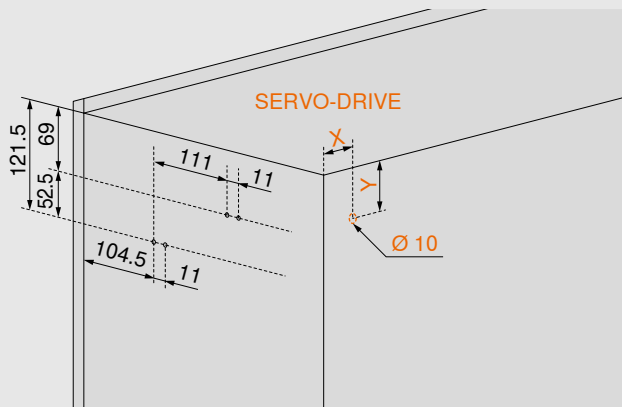


KB Cabinet width

KH Cabinet height

LT Internal cabinet depth

Fixing position for lift mechanism with chipboard screws incl. positioning system

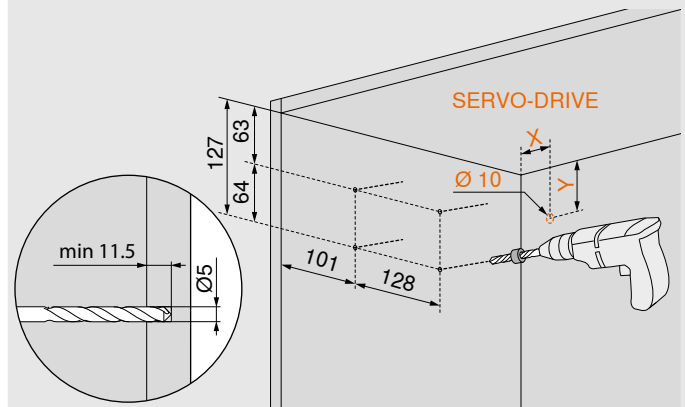


SERVO-DRIVE

X 38.5 mm

Y 45 mm

Fixing position for lift mechanism with pre-mounted system screws

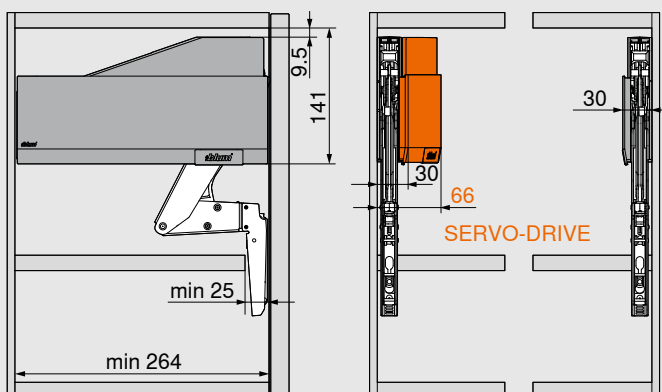


SERVO-DRIVE

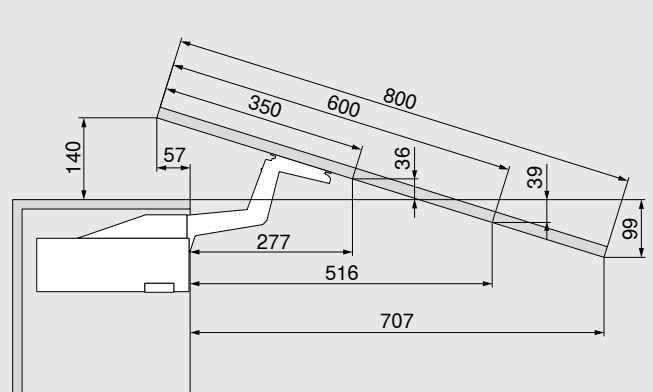
X 38.5 mm

Y 45 mm

Space requirement



Front setting

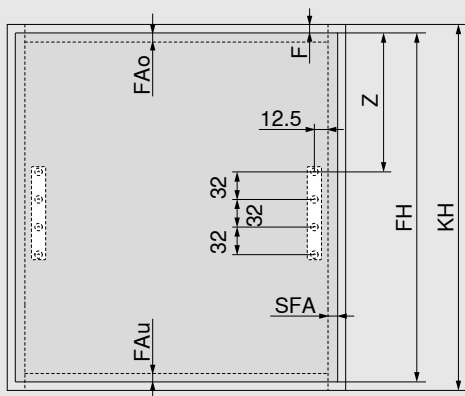


Dimensions depend on tilt adjustment

Planning

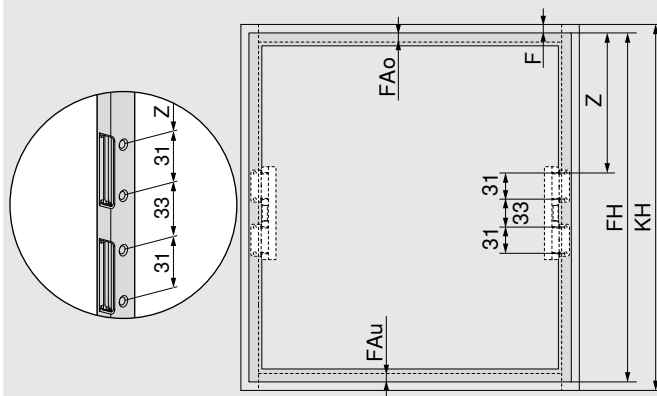
Front assembly

Wooden fronts and wide aluminium frames



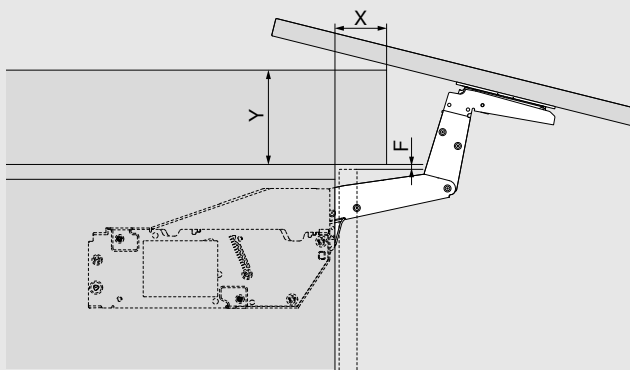
- FAo Upper front overlay
- FAu Bottom front overlay
- F Gap
- Z 195 + FAo
- FH Front height
- KH Cabinet height
- SFA Side front overlay

Narrow aluminium frames



- FAo Upper front overlay
- FAu Bottom front overlay
- F Gap
- Z 195.5 + FAo
- FH Front height
- KH Cabinet height

Space requirement – cornice | crown moulding



<b>F (mm)</b>	3.0	2.0	1.5
<b>X max. (mm)</b>	31	29	27
<b>Y max. (mm)</b>	117	118	119
F Gap			



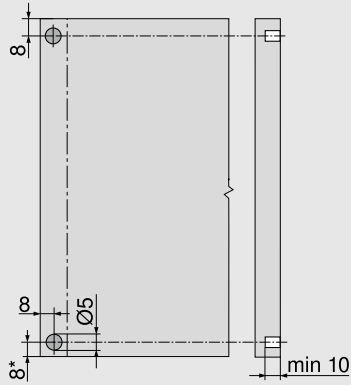
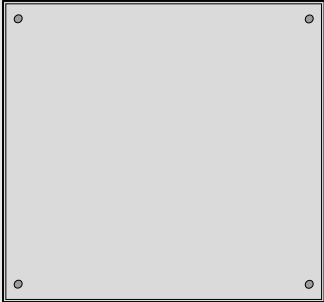
Find more information on assembly and adjustment of AVENTOS HS top at [www.blum.com/hstopassembly](http://www.blum.com/hstopassembly)



**SERVO-DRIVE for AVENTOS HS top**

**Planning**

**Blum distance bumper (SERVO-DRIVE application only)**



Insert Blum distance bumper (do not glue)

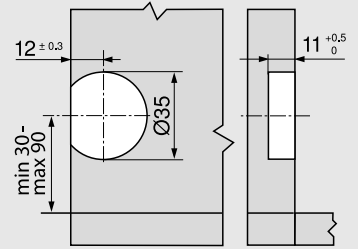
**Recommendation for aluminium frames**

Consider drilling the Blum distance bumper in the cabinet side

A trial application must be carried out when fixing to the front

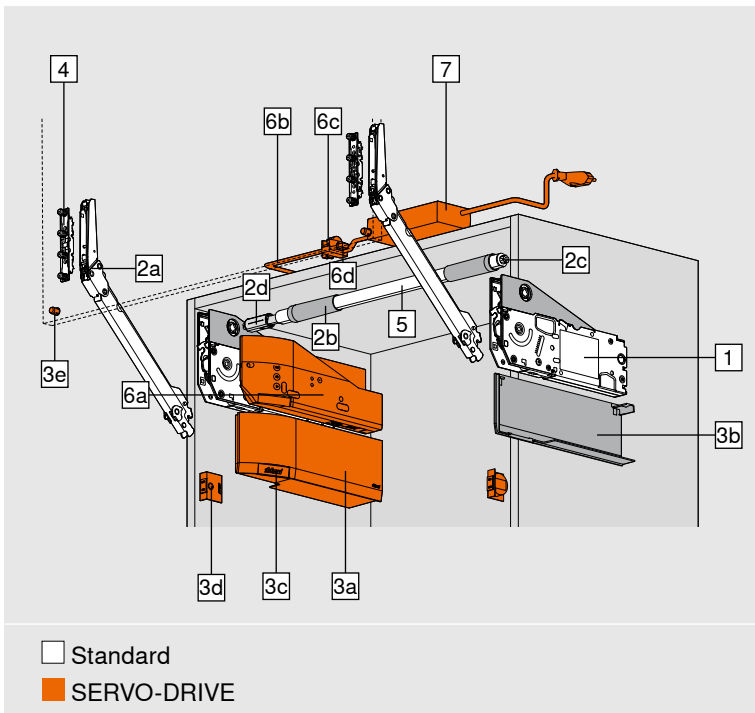
\* From cabinet bottom edge for fronts that protrude below

**SERVO-DRIVE switch**



# AVENTOS HL top





- Ideal for small one-part fronts
- Cabinet height 300-580 mm
- Cabinet width up to 1800 mm
- Internal depth of at least 264 mm
- Integrated BLUMOTION adjustment feature for soft and effortless closing
- Light operating forces
- Variable stop
- Fixed position of the lift mechanism and front fixing bracket
- Symmetrical lever arm
- Tool-free assembly
- Two lift mechanism fixing methods
- 3-dimensional adjustment of the front

**Ordering information**

1	<input type="checkbox"/>	<input checked="" type="checkbox"/>	Lift mechanism set
	Fixing with chipboard screws with positioning system		
	KH (mm)		
	300-389		22L2200
	390-580		22L2500
KH Cabinet height			
<b>Consisting of:</b>			
1	2 x	Symmetrical lift mechanism	
-	-	incl. positioning system	
-	8 x	Chipboard screws Ø 4 x 35 mm	

1	<input type="checkbox"/>	<input checked="" type="checkbox"/>	Lift mechanism set
	Fixing with pre-mounted system screws		
	KH (mm)		
	300-389		22L2210
	390-580		22L2510
KH Cabinet height			
<b>Consisting of:</b>			
1	2 x	Symmetrical lift mechanism with pre-mounted system screws	


2	<input type="checkbox"/>	<input checked="" type="checkbox"/>	Lever arm set
	Colour		Material
	NI		Steel
	KH (mm)	FG (kg)	
	300-339	1.50-9.00	22L3200
	340-389	1.75-10.00	22L3500
	390-540	2.00-12.25	22L3800
	480-580	2.50-14.00	22L3900
FG Front weight			
KH Cabinet height			
<b>Consisting of:</b>			
2a	2 x	Symmetrical lever arm	
2b	2 x	Cross stabiliser cover cap	
2c	1 x	Adapter for cross stabiliser rod	
2d	1 x	Length adapter for cross stabiliser	

**Ordering information**

<b>3</b>	<input type="checkbox"/>	<b>Cover cap set</b>		
	<b>Colour</b>	<b>Material</b>		
	SW, HGR, TGR	K		<b>22.8000</b>


**Consisting of:**

-	1 x	Cover cap left
<b>3b</b>	1 x	Cover cap right
<b>3c</b>	2 x	Branding element, embossed with Blum logo IN-G

<b>3</b>	<input checked="" type="checkbox"/>	<b>Cover cap set for SERVO-DRIVE</b>		
	<b>Colour</b>	<b>Material</b>		
	SW, HGR, TGR	K		<b>23.8000</b>


**Consisting of:**

<b>3a</b>	1 x	SERVO-DRIVE cover cap left
<b>3b</b>	1 x	Cover cap right
<b>3c</b>	2 x	Branding element, embossed with Blum logo IN-G
<b>3d</b>	2 x	SERVO-DRIVE switch
<b>3e</b>	6 x	Blum distance bumper Ø 5 mm

<b>4</b>	<input type="checkbox"/>	<b>Front fixing bracket set</b>		
	<b>Version</b>			
	Wooden fronts and wide aluminium frames	<sup>1</sup>		<b>20S4200</b>
	Narrow aluminium frames			<b>20S4200A</b>

<sup>1</sup> Use 4 chipboard screws (609.1x00) per side for wooden fronts.  
Use 4 countersunk self-tapping screws (660.0950) per side for wide aluminium frames.

**Alternative to front fixing bracket set**

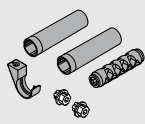
-	<input type="checkbox"/>	<b>Front fixing bracket</b>		
	<b>Version</b>			
	Thin fronts	2 x		<b>20S42T1</b>

EXPANDO T suitable for thin fronts – see page 54

<b>5</b>	<input type="checkbox"/>	<b>Cross stabiliser</b>		
	<b>Length (mm)</b>			
	1076			<b>22Q1076U</b>

For cutting to size

<b>Cutting</b>	Internal cabinet width LW - 113 mm
----------------	------------------------------------

-	<input type="checkbox"/>	<b>Connecting piece set for cross stabiliser</b>		
	Recommended from an internal cabinet width $\geq$ 1190 mm or a cabinet width $\geq$ 1228 mm			

**Material**


Zinc	<b>22Q080Z</b>
------	----------------

**Consisting of:**

<b>2b</b>	2 x	Cross stabiliser cover cap
<b>2c</b>	2 x	Adapter for cross stabiliser rod
-	1 x	Connecting piece for cross stabiliser
-	1 x	Cross stabiliser fixing

**Cutting for 5**

Internal cabinet width LW/2 - 105 mm

<b>6</b>	<input checked="" type="checkbox"/>	<b>SERVO-DRIVE set</b>		
	<b>Colour</b>	<b>Material</b>		
	R7037	K		<b>23.A000</b>


**Consisting of:**

<b>6a</b>	1 x	SERVO-DRIVE drive unit
<b>6b</b>	1 x	SERVO-DRIVE distribution cable, 1500 mm
<b>6c</b>	1 x	Connecting node
<b>6d</b>	2 x	Cable end protector

For three lift mechanisms or more, we recommend two synchronised drive units

<b>7</b>	<b>SERVO-DRIVE power supply unit and accessories</b>
See page 56	

**Optional**

<b>3c</b>	<input type="checkbox"/>	<b>Branding element</b>		
	<b>Material</b>	<b>Colour</b>		
	K	SW-M, TGR	IN-G	
Printed *	2 x	<b>ABD.1000.BL</b>	<b>ABD.1009.BL</b>	
Embossed *	2 x	<b>ABD.1000.BT</b>	<b>ABD.1009.BT</b>	
Plain	2 x	<b>ABD.1000</b>	<b>ABD.1009</b>	

\* With Blum logo

**From 1000 pcs:**

Customised, printed branding element

**From 5000 pcs:**

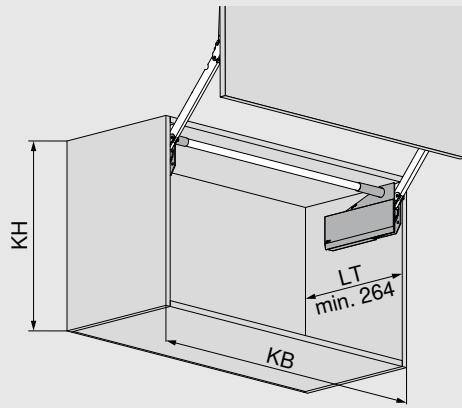
Customised, embossed branding element

**Colours and material**

Name	
SW	Silk white
HGR	Light grey
TGR	Dark grey
R7037	RAL 7037 dust grey
SW-M	Silk white matt
IN-G	In-mould brushed stainless steel
K	Nylon

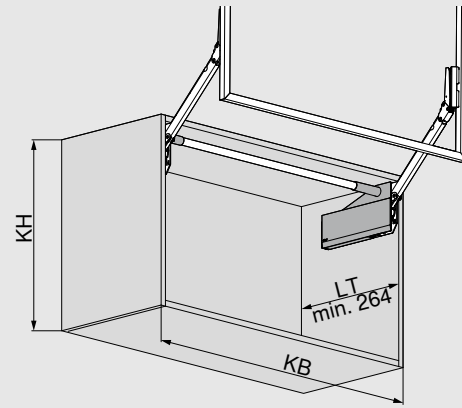
**Planning**

**Symmetrical wooden fronts**



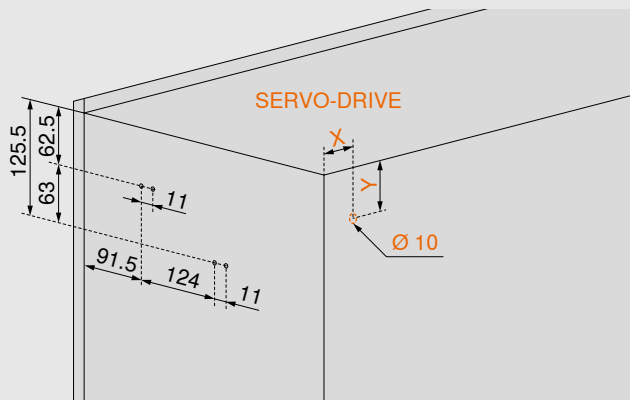
- KB Cabinet width
- KH Cabinet height
- LT Internal cabinet depth

**Symmetrical aluminium frames**



- KB Cabinet width
- KH Cabinet height
- LT Internal cabinet depth

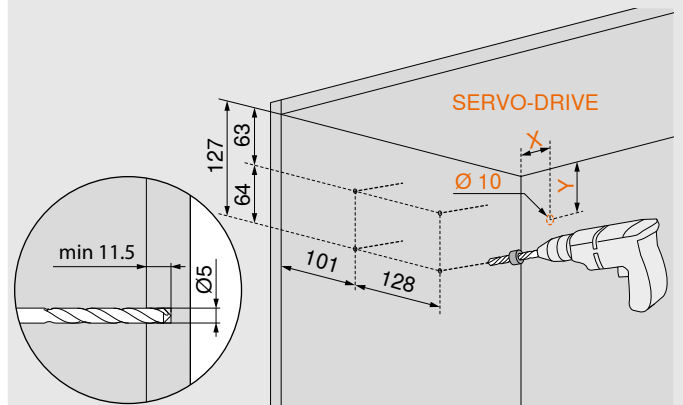
**Fixing position for lift mechanism with chipboard screws incl. positioning system**



**SERVO-DRIVE**

- X 38.5 mm
- Y 71 mm

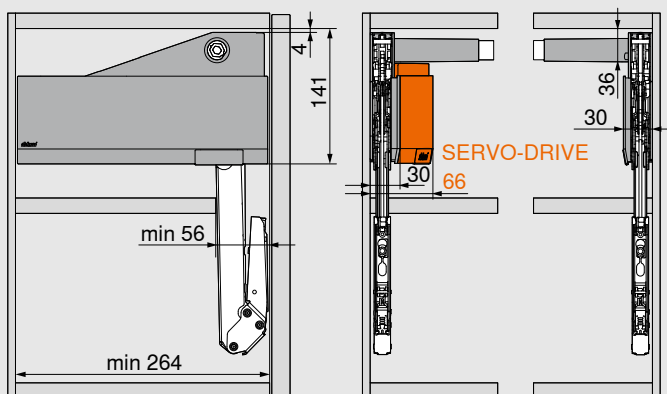
**Fixing position for lift mechanism with pre-mounted system screws**

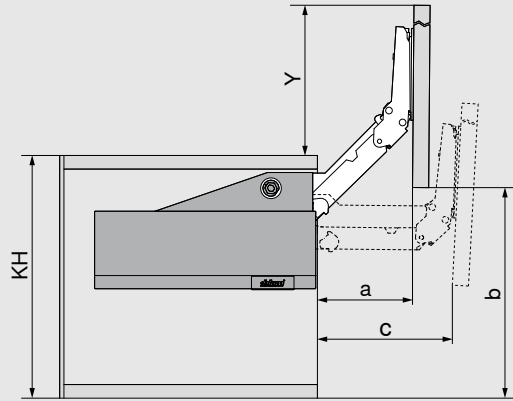


**SERVO-DRIVE**

- X 38.5 mm
- Y 71 mm

**Space requirement**



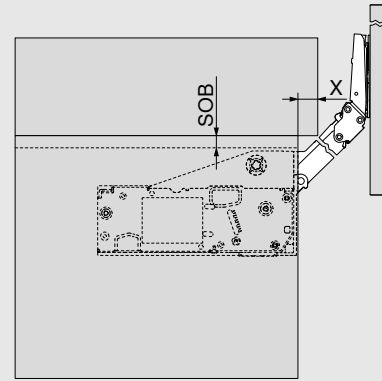
**Planning**
**Front setting**


Lever arm	a (mm)	b (mm)	c (mm)	Y (mm)
22L3200	112	272.5	155.5	272.5
22L3500	140.5	340	195	340
22L3800	176	425	245	425
22L3900	214.5	517	297.5	517

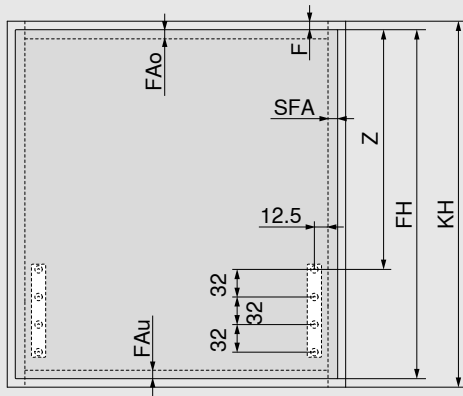
Dimension (b) based on bottom gap (= 0 mm)

Dimension (Y) based on top gap (= 0 mm)

KH Cabinet height

**Space requirement – cornice | crown moulding**


Top panel thickness (SOB)	X (mm)
16 mm	25
17 mm	26
18 mm	27
19 mm	28
20 mm	29

**Front assembly**
**Wooden fronts and wide aluminium frames**


Lever arm	Z
22L3200	113 + FAo
22L3500	153 + FAo
22L3800	203 + FAo
22L3900	256 + FAo

FAo Upper front overlay

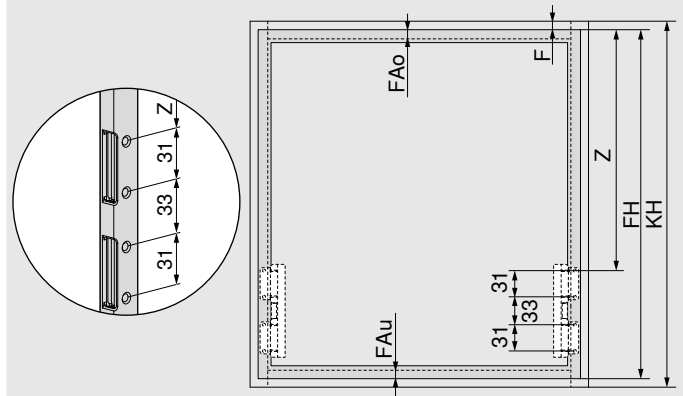
FAu Bottom front overlay

F Gap

FH Front height

KH Cabinet height

SFA Side front overlay

**Narrow aluminium frames**


Lever arm	Z
22L3200	113.5 + FAo
22L3500	153.5 + FAo
22L3800	203.5 + FAo
22L3900	256.5 + FAo

FAo Upper front overlay

FAu Bottom front overlay

F Gap

FH Front height

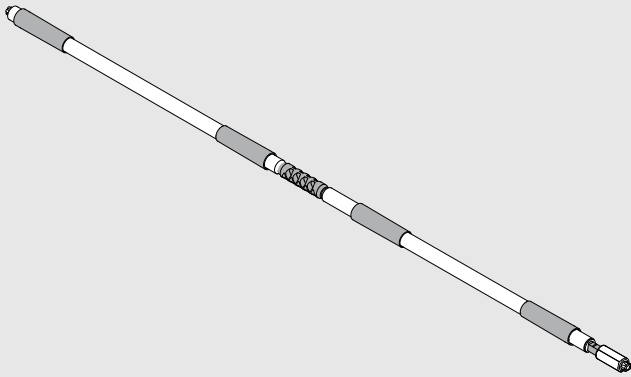
KH Cabinet height

## Planning

### Extra wide applications

Cross stabiliser from an internal cabinet width  $\geq 1190$  mm or a cabinet width  $\geq 1228$  mm

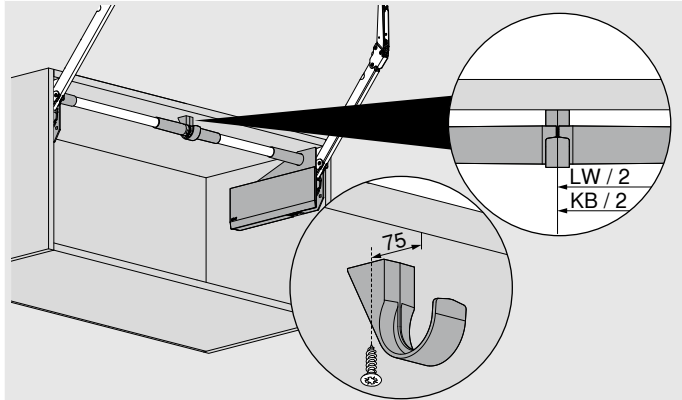
#### Cross stabiliser



LW/2 - 105 mm

LW Internal cabinet width

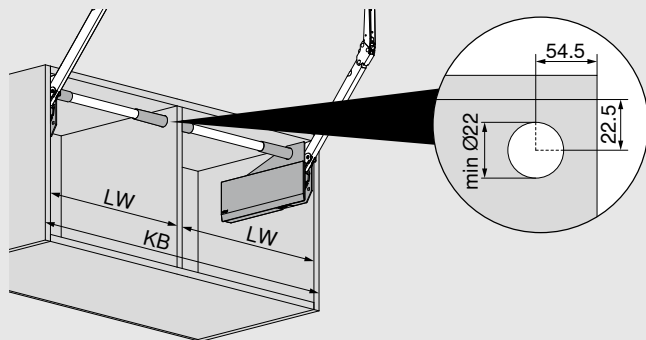
#### Cross stabiliser fixing



KB Cabinet width

LW Internal cabinet width

#### Version with dividing wall



KB Cabinet width

LW Internal cabinet width

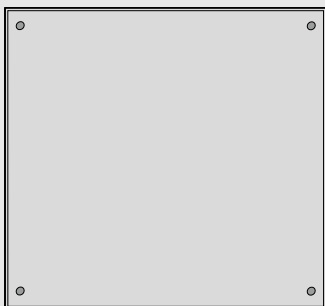


Find more information on assembly and adjustment of AVENTOS HL top at

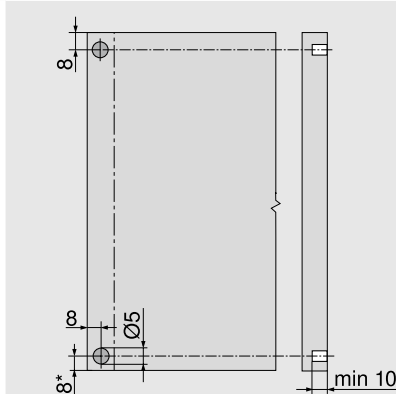
[www.blum.com/hltopassembly](http://www.blum.com/hltopassembly)

## SERVO-DRIVE for AVENTOS HL top

### Blum distance bumper (SERVO-DRIVE application only)



Insert Blum distance bumper (do not glue)



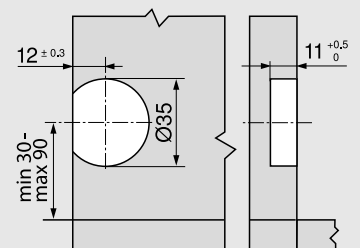
#### Recommendation for aluminium frames

Consider drilling the Blum distance bumper in the cabinet side

A trial application must be carried out when fixing to the front

\* From cabinet bottom edge for fronts that protrude below

### SERVO-DRIVE switch

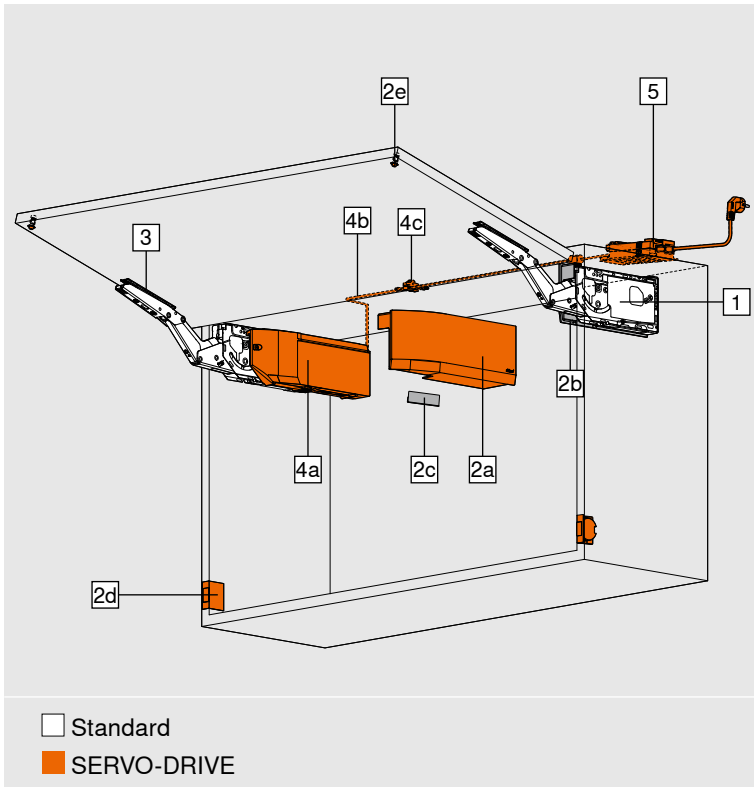


# AVENTOS HK top





**Standard and SERVO-DRIVE**



- Ideal for small applications in wall cabinets, tall cabinets and over the refrigerator
- Cabinet height 205-600 mm
- Cabinet width up to 1800 mm
- Soft and effortless closing thanks to BLUMOTION
- Light operating forces
- Harmonious quality of motion with a variable stop
- Tool-free assembly
- 3-dimensional front adjustment
- Simple, infinitely variable adjustment of the lift mechanism
- No hinges required
- Integrated safety mechanism
- Integrated infinitely variable opening angle stop

**Ordering information**

**Note**

**Power factor (LF) =**  
cabinet height (KH) [mm] x front weight incl. double handle weight [kg]

We recommend the more powerful lift mechanism for applications in overlapping ranges.  
A trial application is recommended when you are in a borderline area of the individual lift mechanism.

The power factor (LF) can be increased by 50% if you use a third lift mechanism.  
We recommend a third lift mechanism for wide cabinets. This will prevent the front from sagging when open.

1	<input type="checkbox"/>	<input checked="" type="checkbox"/>	Lift mechanism set		
	Fixing with chipboard screws with positioning system				
	LF	OW			
	420–1610	107°	22K2300		
	930–2800	107°	22K2500		
	1730–5200	107°	22K2700		
			3200–9000		
Max. front weight 18 kg if using two lift mechanisms.					
LF Power factor					
OW Opening angle (infinitely variable adjustment)					
<b>Consisting of:</b>					
1	2 x	Symmetrical lift mechanism			
-	-	incl. positioning system			
-	8 x	Chipboard screws Ø 4 x 35 mm			

1	<input type="checkbox"/>	<input checked="" type="checkbox"/>	Lift mechanism set		
	Fixing with pre-mounted system screws				
	LF	OW			
	420–1610	107°	22K2310		
	930–2800	107°	22K2510		
	1730–5200	107°	22K2710		
			3200–9000		
Max. front weight 18 kg if using two lift mechanisms.					
LF Power factor					
OW Opening angle (infinitely variable adjustment)					
<b>Consisting of:</b>					
1	2 x	Symmetrical lift mechanism with pre-mounted system screws			

**Standard and SERVO-DRIVE**
**Ordering information**

<b>2</b>		<b>Cover cap set</b>		
		<b>Colour</b>	<b>Material</b>	
		SW, HGR, TGR	K	<b>22K8000</b>
<b>Consisting of:</b>				
-	1 x	Cover cap left		
<b>2b</b>	1 x	Cover cap right		
<b>2c</b>	2 x	Branding element, embossed with Blum logo		
		IN-G		

<b>2</b>		<b>Cover cap set for SERVO-DRIVE</b>		
		<b>Colour</b>	<b>Material</b>	
		SW, HGR, TGR	K	<b>23K8000</b>
<b>Consisting of:</b>				
<b>2a</b>	1 x	SERVO-DRIVE cover cap left		
<b>2b</b>	1 x	Cover cap right		
<b>2c</b>	2 x	Branding element, embossed with Blum logo		
		IN-G		
<b>2d</b>	2 x	SERVO-DRIVE switch		
<b>2e</b>	2 x	Blum distance bumper Ø 5 mm		

<b>3</b>		<b>Front fixing bracket set</b>		
		<b>Version</b>		
		Wooden fronts and wide aluminium frames	<sup>1</sup>	<b>20S4200</b>
		Narrow aluminium frames		<b>20S4200A</b>

<sup>1</sup> Use 4 chipboard screws (609.1x00) per side for wooden fronts.  
Use 4 countersunk self-tapping screws (660.0950) per side for wide aluminium frames.

**Alternative to front fixing bracket set**

-		<b>Front fixing bracket</b>		
		<b>Version</b>		
		Thin fronts	2 x	<b>20S42T1</b>

EXPANDO T suitable for thin fronts – see page 54

<b>4</b>		<b>SERVO-DRIVE set</b>		
		<b>Colour</b>	<b>Material</b>	
		R7037	K	<b>23KA000</b>

**Consisting of:**

<b>4a</b>	1 x	SERVO-DRIVE drive unit		
<b>4b</b>	1 x	SERVO-DRIVE distribution cable, 1500 mm		
<b>4c</b>	1 x	Connecting node		
-	2 x	Cable end protector		

For three lift mechanisms or more, we recommend two synchronised drive units

<b>5</b>	<b>SERVO-DRIVE power supply unit and accessories</b>
See page 56	

**Optional**

-		<b>Branding element</b>		
		<b>Material</b>	<b>Colour</b>	
		K	SW-M, TGR	IN-G
		Printed *	2 x	<b>ABD.1000.BL</b> <b>ABD.1009.BL</b>
		Embossed *	2 x	<b>ABD.1000.BT</b> <b>ABD.1009.BT</b>
		Plain	2 x	<b>ABD.1000</b> <b>ABD.1009</b>

\* With Blum logo

**From 1000 pcs:**

Customised, printed branding element

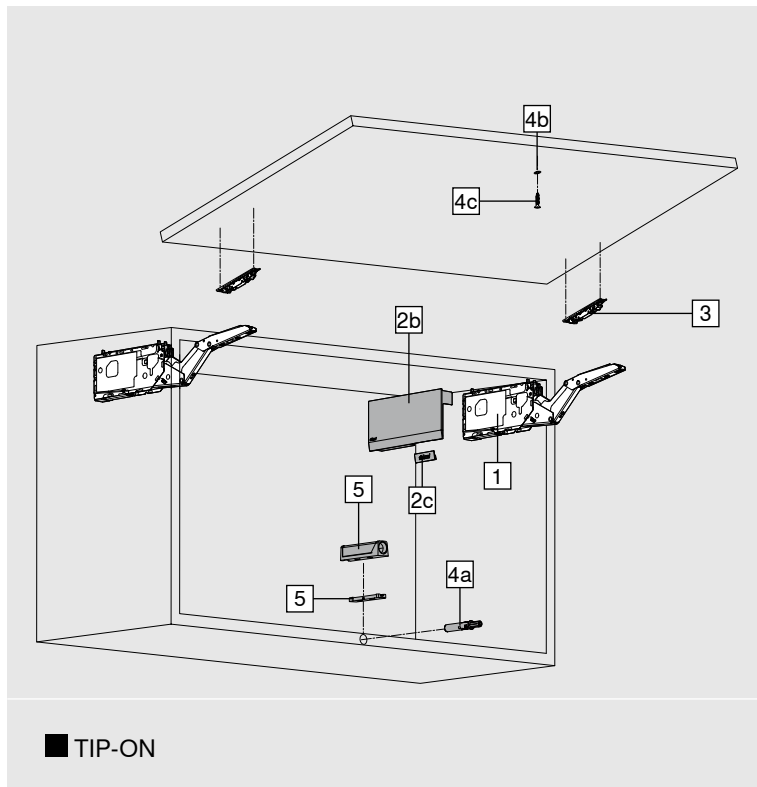
**From 5000 pcs:**

Customised, embossed branding element

**Colours and material**

Name	
SW	Silk white
HGR	Light grey
TGR	Dark grey
R7037	RAL 7037 dust grey
SW-M	Silk white matt
IN-G	In-mould brushed stainless steel
K	Nylon

**TIP-ON**



- TIP-ON for handle-less stay lifts
- Cabinet height 205-600 mm
- Cabinet width up to 1800 mm
- For drilling or in combination with adapter plates

■ TIP-ON

**Ordering information**

**Note**

**Power factor (LF) =**  
cabinet height (KH) [mm] x front weight incl. double handle weight [kg]

We recommend the more powerful lift mechanism for applications in overlapping ranges.  
A trial application is recommended when you are in a borderline area of the individual lift mechanism.

The power factor (LF) can be increased by 50% if you use a third lift mechanism.  
We recommend a third lift mechanism for wide cabinets. This will prevent the front from sagging when open.

1	■	Lift mechanism set for TIP-ON		
Fixing with chipboard screws with positioning system				
	<b>LF</b>	<b>OW</b>		
	420–1610	107°		22K2300T
	930–2800	107°		22K2500T
	1730–5200	100°		22K2700T
	3200–9000	100°		22K2900T
Max. front weight 18 kg if using two lift mechanisms.				
LF Power factor				
OW Opening angle (infinitely variable adjustment)				
<b>Consisting of:</b>				
1	2 x	Symmetrical lift mechanism		
-	-	incl. positioning system		
-	8 x	Chipboard screws Ø 4 x 35 mm		

1	■	Lift mechanism set for TIP-ON		
Fixing with pre-mounted system screws				
	<b>LF</b>	<b>OW</b>		
	420–1610	107°		22K2310T
	930–2800	107°		22K2510T
	1730–5200	100°		22K2710T
	3200–9000	100°		22K2910T
Max. front weight 18 kg if using two lift mechanisms.				
LF Power factor				
OW Opening angle (infinitely variable adjustment)				
<b>Consisting of:</b>				
1	2 x	Symmetrical lift mechanism with pre-mounted system screws		

**TIP-ON**
**Ordering information**

<b>2</b>		<b>Cover cap set</b>		
		<b>Colour</b>	<b>Material</b>	
		SW, HGR, TGR	K	<b>22K8000</b>
<b>Consisting of:</b>				
-	1 x	Cover cap left		
<b>2b</b>	1 x	Cover cap right		
<b>2c</b>	2 x	Branding element, embossed with Blum logo		
		IN-G		

<b>3</b>		<b>Front fixing bracket set</b>		
		<b>Version</b>		
		Wooden fronts and wide aluminium frames	1	<b>20S4200</b>
		Narrow aluminium frames		<b>20S4200A</b>

<sup>1</sup> Use 4 chipboard screws (609.1x00) per side for wooden fronts.  
Use 4 countersunk self-tapping screws (660.0950) per side for wide aluminium frames.

**Alternative to front fixing bracket set**

-		<b>Front fixing bracket</b>		
		<b>Version</b>		
		Thin fronts	2 x	<b>20S42T1</b>

EXPANDO T suitable for thin fronts – see page 54

<b>4</b>		<b>TIP-ON set</b>		
		<b>Colour</b>	<b>KH (mm)</b>	
		SW, CS, R7036	Up to 600	
		<b>Version</b>		
		Short version		<b>956.1004</b>

KH Cabinet height

<b>Consisting of:</b>				
<b>4a</b>	1 x	TIP-ON		
<b>4b</b>	1 x	Screw-on catch plate		
<b>4c</b>	1 x	Chipboard screw 609.1500		
-	1 x	Glue-on catch plate		

**Accessories**

<b>5</b>		<b>Adapter plate</b>		
		<b>Version</b>	<b>Colour</b>	
		Straight adapter plate – short version	SW, CS, R7036, NI-L	<b>956.1201</b>
		Cruciform adapter plate – long version	R7036	<b>956A1501</b>

**Optional**

<b>2c</b>		<b>Branding element</b>		
		<b>Material</b>	<b>Colour</b>	
		K	SW-M, TGR	IN-G
	Printed *	2 x	<b>ABD.1000.BL</b>	<b>ABD.1009.BL</b>
	Embossed *	2 x	<b>ABD.1000.BT</b>	<b>ABD.1009.BT</b>
	Plain	2 x	<b>ABD.1000</b>	<b>ABD.1009</b>

\* With Blum logo

**From 1000 pcs:**

Customised, printed branding element

**From 5000 pcs:**

Customised, embossed branding element

**Colours and material**

<b>Name</b>	
SW	Silk white
HGR	Light grey
TGR	Dark grey
R7036	RAL 7036 platinum grey
SW-M	Silk white matt
CS	Carbon black
NI-L	Nickel lacquered
IN-G	In-mould brushed stainless steel
K	Nylon

Standard, SERVO-DRIVE and TIP-ON

Planning

Drilling position	
System screws	Chipboard screws

**SERVO-DRIVE**

\* Drilling depth 11.5 mm

4 x chipboard screws Ø 4 x 35 mm

**Space requirement**

**SERVO-DRIVE**

\* Min. 261 mm with visible wall hanging bracket

Note: Cabinet height max. 600 mm

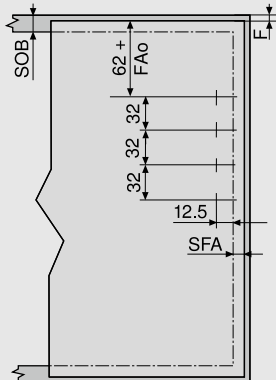
LH Internal cabinet height

**Standard, SERVO-DRIVE and TIP-ON**

**Planning**

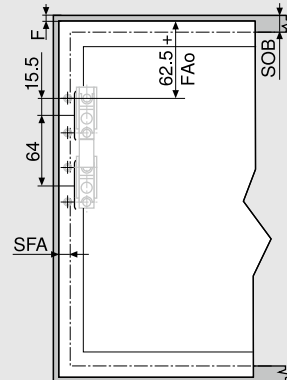
**Front assembly**

**Wooden fronts and wide aluminium frames**



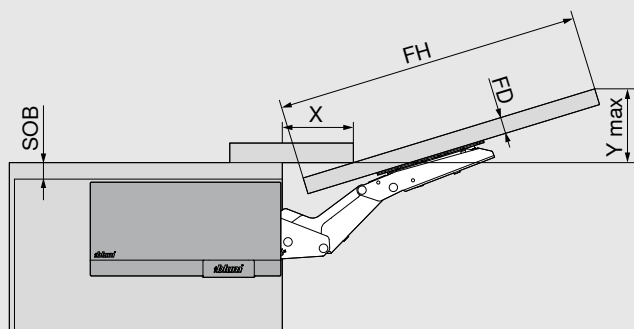
- FAo Max. 25.4 mm
- FAo Upper front overlay
- SOB Top panel thickness
- SFA Side front overlay
- F Gap

**Narrow aluminium frames**



- FAo Max. 25.4 mm
- FAo Upper front overlay
- SOB Top panel thickness
- SFA Side front overlay
- F Gap

**Space requirement – cornice | crown moulding**



**Space requirement (mm)**

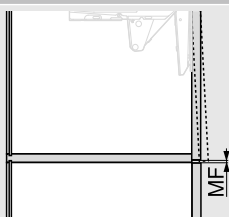
At max. opening angle

$Y = FH \times 0.29 + FD - SOB$

<b>FD (mm)</b>	16	19	22	26	28
<b>X (mm)</b>	68	57	47	33	27

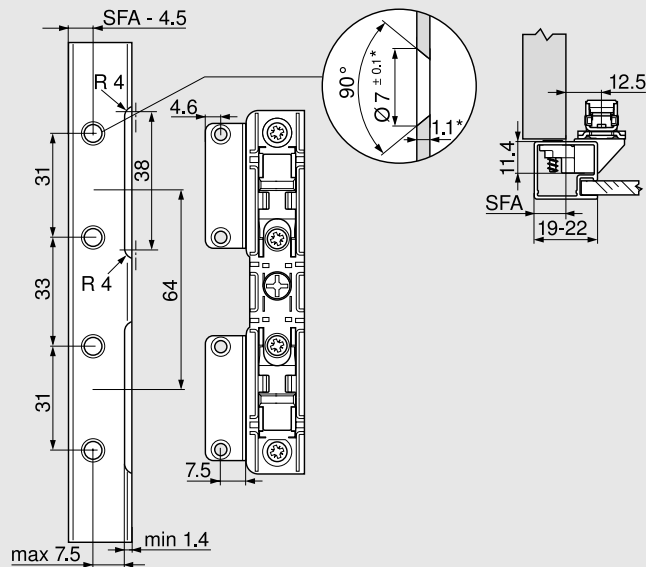
- SOB Top panel thickness
- FD Front thickness
- FH Front height

**Minimum gap**



Minimum gap MF is 2 mm

**Narrow aluminium frames**



For frame width 19 mm, an SFA of 11-18 mm is possible.

\* When changing material thickness, adjust the assembly dimensions accordingly

SFA Side front overlay

Further planning information for TIP-ON – see page 52



Find more information on assembly and adjustment of AVENTOS HK top at

[www.blum.com/hktopassembly](http://www.blum.com/hktopassembly)

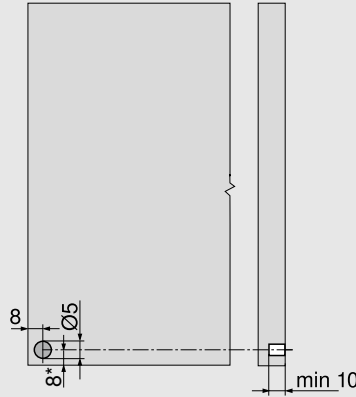
## SERVO-DRIVE for AVENTOS HK top

### Planning

#### Blum distance bumper (SERVO-DRIVE application only)



Insert Blum distance bumper (do not glue)  
Do not insert bumper in upper third



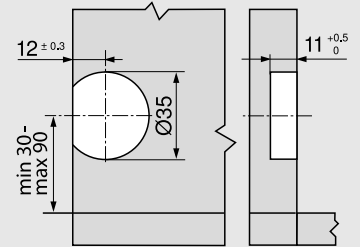
#### Recommendation for aluminium frames

Consider drilling the Blum distance bumper in the cabinet side

A trial application must be carried out when fixing to the front

\* From cabinet bottom edge for fronts that protrude below

#### SERVO-DRIVE switch

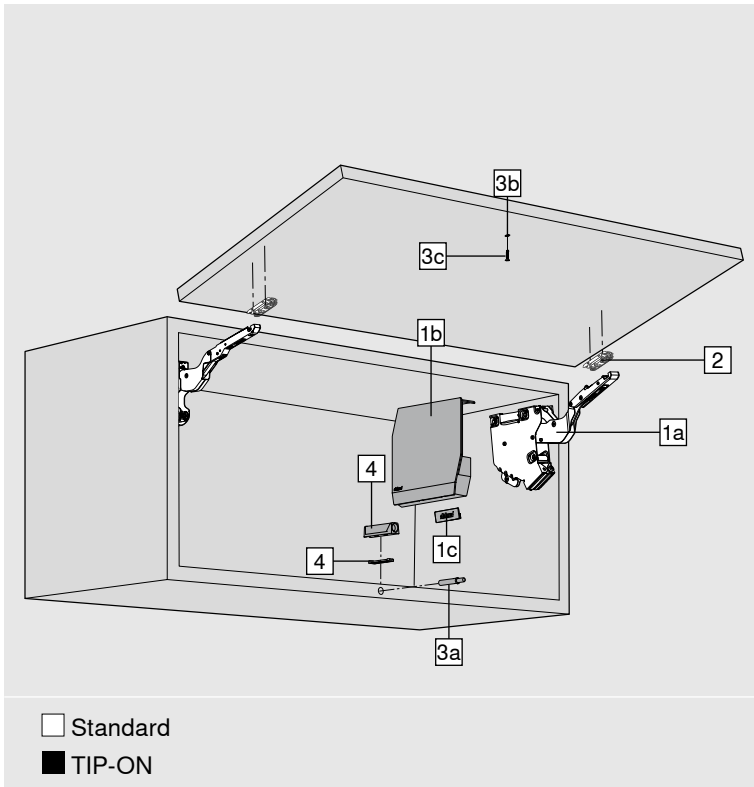


# AVENTOS HK-S





**Standard and TIP-ON**



- Ideal for small applications in wall cabinets, tall cabinets and over the refrigerator
- Cabinet height max. 600 mm
- Soft and effortless closing thanks to BLUMOTION
- Light operating forces
- Harmonious quality of motion with a variable stop
- Tool-free assembly
- 3-dimensional front adjustment
- Simple, infinitely variable adjustment of the lift mechanism
- No hinges required
- TIP-ON for handle-less stay lifts

**Ordering information**

**Note**

**Power factor (LF) =**  
cabinet height (KH) [mm] x front weight incl. double handle weight [kg]

We recommend the more powerful lift mechanism for applications in overlapping ranges.  
A trial application is recommended when you are in a borderline area of the individual lift mechanism.

The power factor (LF) can be increased by 50% if you use a third lift mechanism.

1	<input type="checkbox"/>	Lift mechanism set		
		LF	OW	
	<input type="checkbox"/>	220–500	107°	<sup>1</sup> 20K2B00.06
		400–1000	107°	20K2C00.06
		960–2215	107°	20K2E00.06
<sup>1</sup> One lift mechanism is unsprung				
LF Power factor				
OW Opening angle				
<b>Consisting of:</b>				
<b>1a</b>	2 x	Symmetrical lift mechanism		
<b>1b</b>	2 x	Cover cap left/right SW, HGR, TGR		
<b>1c</b>	2 x	Branding element, embossed with Blum logo IN-G		
-	6 x	Chipboard screw Ø 4 x 35 mm		

1	<input checked="" type="checkbox"/>	Lift mechanism set for TIP-ON		
		LF	OW	
	<input checked="" type="checkbox"/>	220–500	107°	<sup>1</sup> 20K2B00T06
		400–1000	107°	20K2C00T06
		960–2215	107°	20K2E00T06
<sup>1</sup> One lift mechanism is unsprung				
LF Power factor				
OW Opening angle				
<b>Consisting of:</b>				
<b>1a</b>	2 x	Symmetrical lift mechanism		
<b>1b</b>	2 x	Cover cap left/right SW, HGR, TGR		
<b>1c</b>	2 x	Branding element, embossed with Blum logo IN-G		
-	6 x	Chipboard screw Ø 4 x 35 mm		

**Standard and TIP-ON**
**Ordering information**

2		Front fixing bracket		
	Fixing method	Spacing (mm)		
	Screw-on <sup>1</sup>	0	175H3100	
	EXPANDO	0	177H3100E	
	Knock-in	0	177H3100	
<b>Wooden fronts and wide aluminium frames</b>			2 x	
All horizontal steel mounting plates with 0 mm spacing possible				
<sup>1</sup> Use 2 chipboard screws (609.1x00) per side for wooden fronts. Use 2 countersunk self-tapping screws (660.0950) per side for wide aluminium frames.				

-		Front fixing bracket set		
	Version			
	Narrow aluminium frames	20K4A00A02		

3		TIP-ON set		
	Colour	KH (mm)		
	SW, CS, R7036	Up to 600		
	Version			
	Short version	956.1004		
KH Cabinet height				
<b>Consisting of:</b>				
<b>3a</b>	1 x	TIP-ON		
<b>3b</b>	1 x	Screw-on catch plate		
<b>3c</b>	1 x	Chipboard screw 609.1500		
-	1 x	Glue-on catch plate		

**Accessories**

4		Adapter plate		
	Version	Colour		
	Straight adapter plate – short version	SW, CS, R7036, NI-L	956.1201	
	Version	Colour		
	Cruciform adapter plate – long version	R7036	956A1501	

-		Opening angle stop		
	Opening angle	Colour		
	100°	TGR	20K7A41	
	75°	R7037	20K7A11	

**Optional**

1c		Branding element		
	Material	Colour		
	K	SW-M, TGR	IN-G	
Printed *	2 x	ABD.1000.BL	ABD.1009.BL	
Embossed *	2 x	ABD.1000.BT	ABD.1009.BT	
Plain	2 x	ABD.1000	ABD.1009	
* With Blum logo				
<b>From 1000 pcs:</b>				
Customised, printed branding element				
<b>From 5000 pcs:</b>				
Customised, embossed branding element				

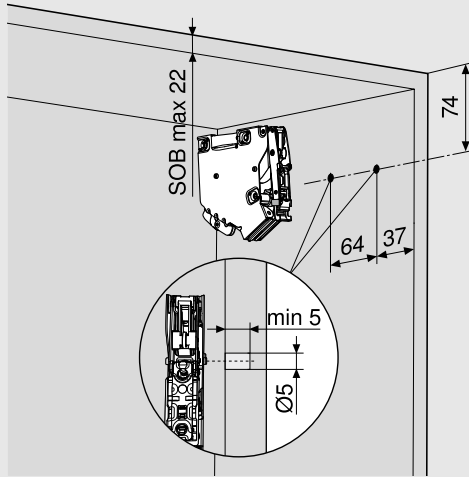
**Colours and material**

Name	
SW	Silk white
HGR	Light grey
TGR	Dark grey
R7036	RAL 7036 platinum grey
SW-M	Silk white matt
CS	Carbon black
NI-L	Nickel lacquered
IN-G	In-mould brushed stainless steel
K	Nylon

Standard and TIP-ON

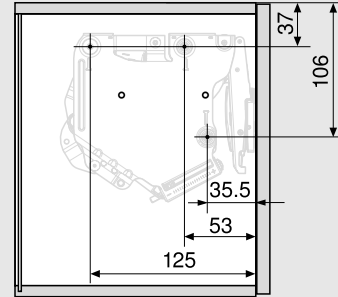
Planning

Peg position



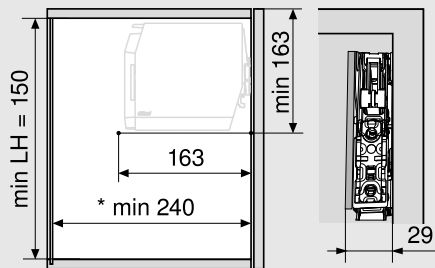
SOB Top panel thickness

Fixing position



3 x chipboard screws Ø 4 x 35 mm

Space requirement



\* Min. 240 mm with visible wall hanging bracket

Note: Cabinet height max. 600 mm

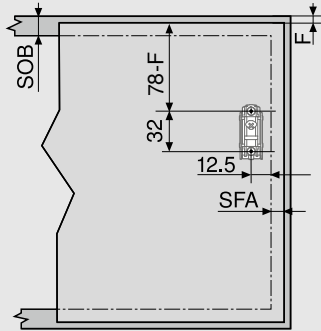
LH Internal cabinet height

Standard and TIP-ON

Planning

Front assembly

Wooden fronts and wide aluminium frames

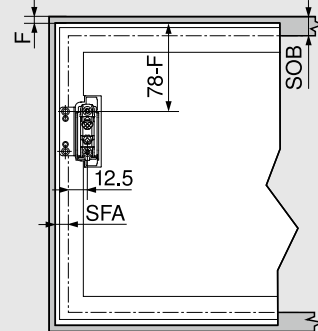


SOB Top panel thickness

SFA Side front overlay

F Gap

Narrow aluminium frames

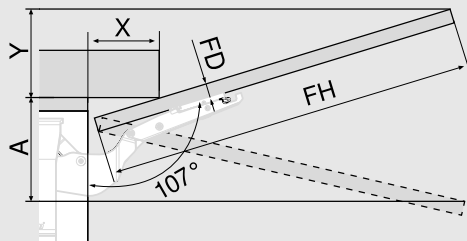


SOB Top panel thickness

SFA Side front overlay

F Gap

Space requirement – cornice | crown moulding



Opening angle stop

Space requirement (mm)

Unsprung

$$Y = FH \times 0.29 - 15 + FD$$

100°

$$Y = FH \times 0.17 - 15 + FD$$

75°

$$A = FH \times 0.26 + 15 - FD$$

FD (mm)

16

19

22

26

-

X (mm)

70

59

49

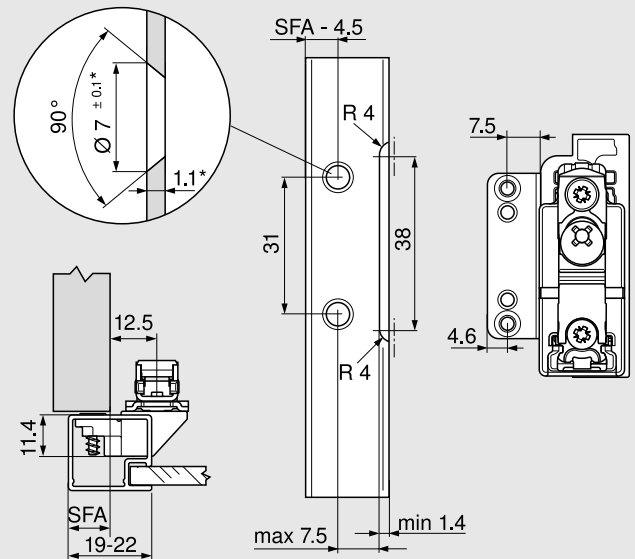
35

-

FD Front thickness

FH Front height

Narrow aluminium frames



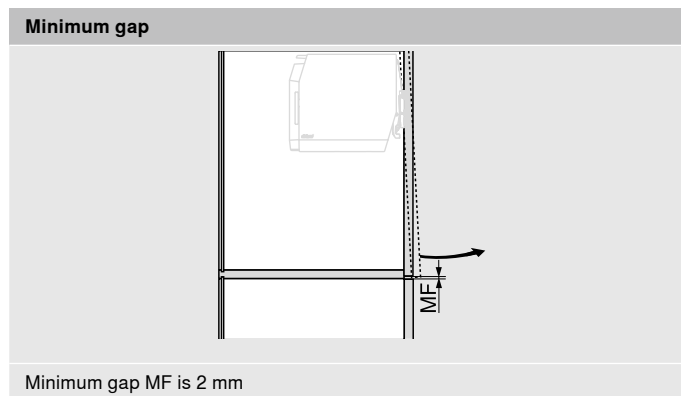
For frame width 19 mm, an SFA of 11-18 mm is possible.

\* When changing material thickness, adjust the assembly dimensions accordingly

SFA Side front overlay

## Standard and TIP-ON

### Planning



Further planning information for TIP-ON – see page 52

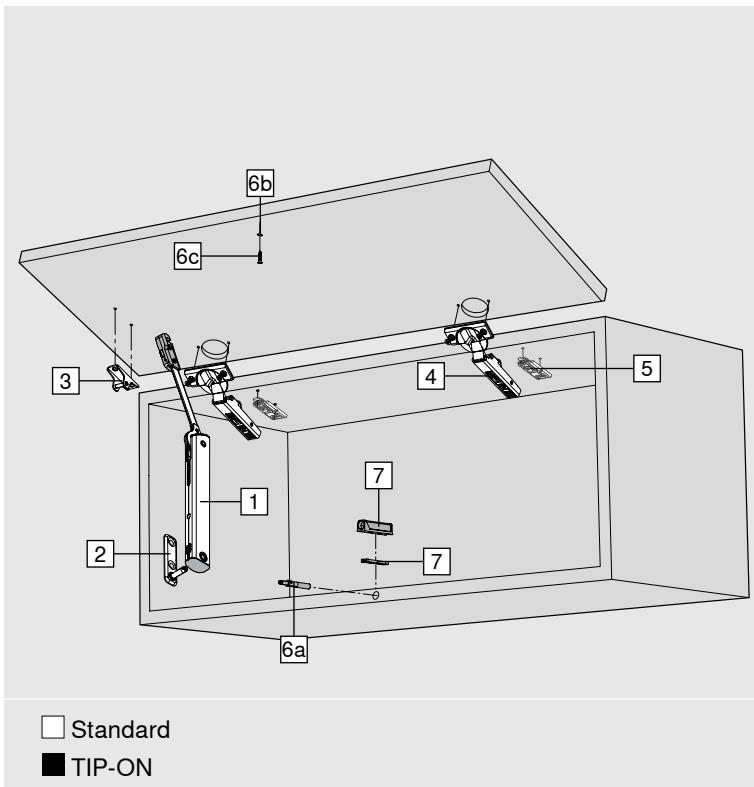


Find more information on assembly and adjustment of AVENTOS HK-S at [www.blum.com/aventos-hks-assembly](http://www.blum.com/aventos-hks-assembly)

# AVENTOS HK-XS



**Standard and TIP-ON**



- Ideal for small applications in wall cabinets, tall cabinets and over the refrigerator
- Cabinet height 240-600 mm
- Internal cabinet depth min. 125 mm
- An internal cabinet depth of 100 mm or more is possible if you use a special drilling position
- Closes softly and effortlessly in conjunction with CLIP top BLUMOTION hinges
- TIP-ON for handle-less stay lifts with CLIP top unsprung hinges
- Light operating forces
- Harmonious quality of motion with a variable stop
- Simple, infinitely variable adjustment of the lift mechanism

**Ordering information**

**Note**

**Power factor (LF) =**  
cabinet height (KH) [mm] x front weight incl. double handle weight [kg]


We recommend the more powerful lift mechanism for applications in overlapping ranges.  
A trial application is recommended when you are in a borderline area of the individual lift mechanism.


1	<input type="checkbox"/>	Lift mechanism		
		LF	OW	
		200-1000	105°	20K1101
		500-1500	105° <sup>1</sup>	20K1301
		800-1800	105°	20K1501
The power factor LF is doubled when used on two sides				
<sup>1</sup> For hinges with smaller opening angles, the opening angle will depend on the hinge used				
LF Power factor				
OW Opening angle				

1	<input checked="" type="checkbox"/>	Lift mechanism for TIP-ON		
		LF	OW	
		180-800	105°	20K1101T
		500-1200	105° <sup>1</sup>	20K1301T
		800-1600	105°	20K1501T
The power factor LF is doubled when used on two sides				
<sup>1</sup> For hinges with smaller opening angles, the opening angle will depend on the hinge used				
LF Power factor				
OW Opening angle				

**Standard and TIP-ON**
**Ordering information**

2		<b>Cabinet fixing</b>	
		<b>Fixing method</b>	
		Screw-on	20K5101
		EXPANDO	20K51E1

3		<b>Front fixing bracket</b>		
		<b>Version</b>	<b>Fixing method</b>	
		Wooden fronts and wide aluminium frames	Screw-on <sup>1</sup>	20K4101
		Wooden fronts	EXPANDO	20K41E1
	Narrow aluminium frames	Screw-on	20K4101A	


4		<b>CLIP top BLUMOTION 110° hinge</b>		
		<b>Boss</b>	<b>Spring</b>	
		INSERTA	With spring	71B3590
	Screw-on <sup>1</sup>	With spring	71B3550	

3 hinges starting at cabinet width KB 900 mm and/or power factor LF 1800

4 hinges with cabinet width KB 1200 mm and/or starting at power factor LF 2700

**Alternative**

CLIP top BLUMOTION hinges: 107°, profile/thick door, 95° aluminium frame door hinge or CLIP top hinges: 107°, profile/thick door, 95° aluminium frame door hinge in combination with BLUMOTION 973A – for clip on and/or CLIP hinges: 100°

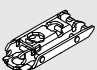
4		<b>CLIP top 110° hinge</b>		
		<b>Boss</b>	<b>Spring</b>	
		INSERTA	Unsprung	70T3590.TL
	Screw-on <sup>1</sup>	Unsprung	70T3550.TL	

3 hinges starting at cabinet width KB 900 mm and/or power factor LF 1800


4 hinges with cabinet width KB 1200 mm and/or starting at power factor LF 2700

**Alternative**

CLIP top hinges: 107°, profile/thick door, 95° aluminium frame door hinge and/or CLIP 100° (each hinge unsprung)

5		<b>Mounting plate</b>		
		<b>Fixing method</b>	<b>Spacing (mm)</b>	
		Screw-on <sup>1</sup>	0	175H3100
	EXPANDO	0	177H3100E	

Standard mounting plates, spacing depends on the top gap


6		<b>TIP-ON set</b>	
		<b>Colour</b>	<b>KH (mm)</b>
		SW, CS, R7036	Up to 600
		<b>Version</b>	
	Short version		956.1004

KH Cabinet height

**Consisting of:**

<b>6a</b>	1 x	TIP-ON
<b>6b</b>	1 x	Screw-on catch plate
<b>6c</b>	1 x	Chipboard screw 609.1500
-	1 x	Glue-on catch plate

**Accessories**

7		<b>Adapter plate</b>		
		<b>Version</b>	<b>Colour</b>	
		Straight adapter plate – short version	SW, CS, R7036, NI-L	956.1201
	Cruciform adapter plate – long version	R7036	956A1501	

-		<b>Opening angle stop</b>		
		<b>Opening angle</b>	<b>Colour</b>	
		86°	S	70T3553

For CLIP top BLUMOTION 110° | CLIP top 110° hinge

**Colours and material**

Name	
SW	Silk white
S	Black
R7036	RAL 7036 platinum grey
CS	Carbon black
NI-L	Nickel lacquered

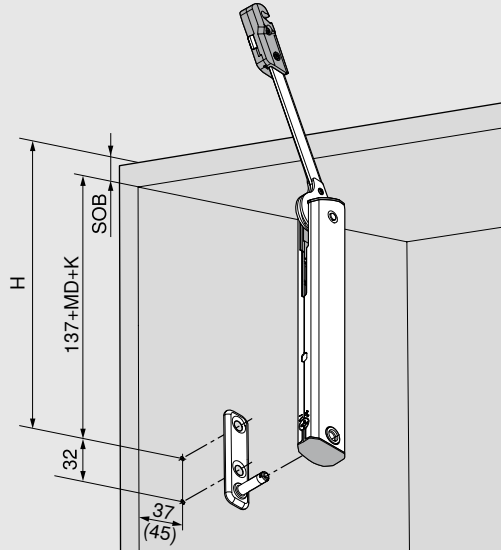
<sup>1</sup> Use 2 chipboard screws (609.1x00) per side for wooden fronts. Use 2 countersunk self-tapping screws (660.0950) per side for wide aluminium frames.



**Standard and TIP-ON**

**Planning**

**Drilling position**



$H = 137 + D + K + SOB$

MD Mounting plate spacing

K Cranking of hinge arm

Straight hinge arm 0 mm

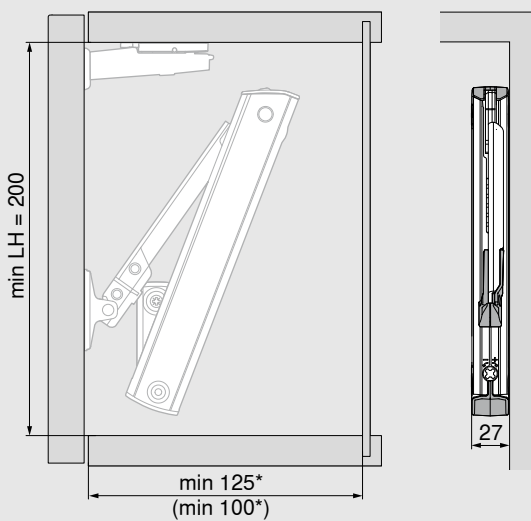
Cranked hinge arm 9.5 mm

Double cranked arm 18 mm

SOB Top panel thickness

() Internal cabinet depth 100 mm

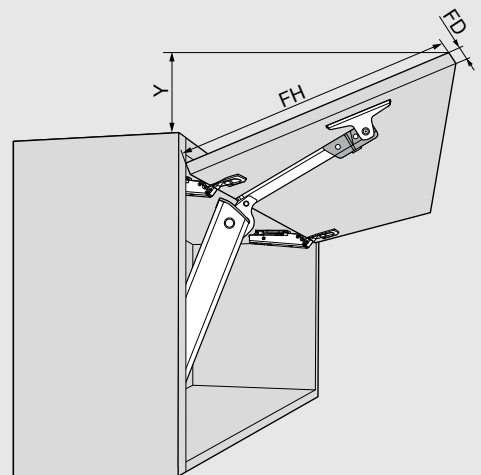
**Space requirement**



LH Internal cabinet height

\* Min. 200 mm with visible wall hanging bracket

() Internal cabinet depth 100 mm



**CLIP top BLUMOTION 110° hinge**

$Y = (FH - X) \times 0.3$

<b>FD (mm)</b>	16	19	22	24
<b>X (mm)</b>	45	34	23	15

FD Front thickness

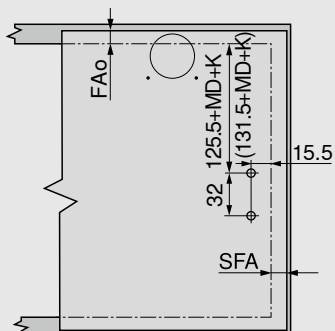
FH Front height

## Standard and TIP-ON

### Planning

#### Front assembly

Wooden fronts and wide aluminium frames



FAo Upper front overlay

SFA Side front overlay

MD Mounting plate spacing

K Cranking of hinge arm

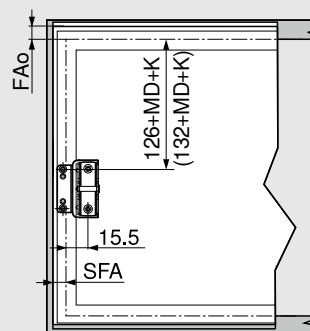
Straight hinge arm 0 mm

Cranked hinge arm 9.5 mm

Double cranked arm 18 mm

() Internal cabinet depth 100 mm

Narrow aluminium frames



FAo Upper front overlay

SFA Side front overlay

MD Mounting plate spacing

K Cranking of hinge arm

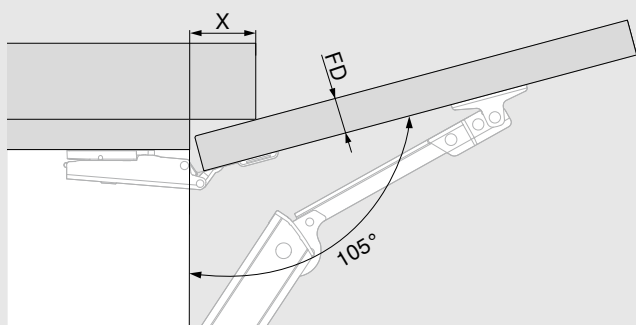
Straight hinge arm 0 mm

Cranked hinge arm 9.5 mm

Double cranked arm 18 mm

() Internal cabinet depth 100 mm

#### Space requirement – cornice | crown moulding



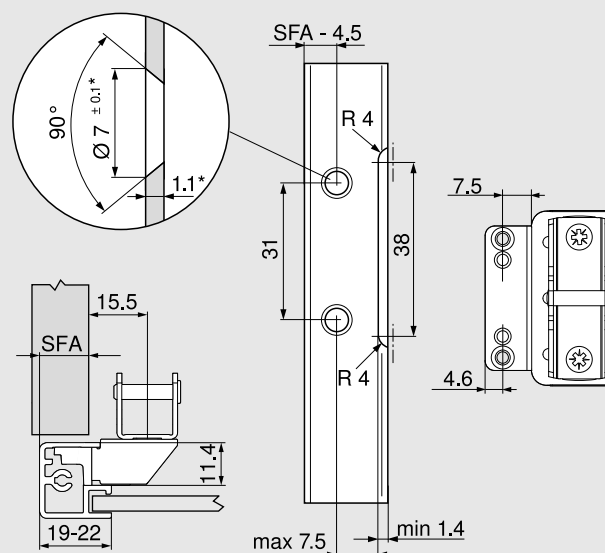
#### CLIP top BLUMOTION 110° hinge

FD (mm)	16	19	22	24
---------	----	----	----	----

X (mm)	45	34	23	15
--------	----	----	----	----

FD Front height

#### Narrow aluminium frames



For frame width 19 mm, an SFA of 11-18 mm is possible.

\* When changing material thickness, adjust the assembly dimensions accordingly

SFA Side front overlay

Standard and TIP-ON

Planning

**Minimum gap**

MFo Minimum gap at the top depending on the hinge used

MFu Minimum gap at the bottom 1.5 mm

**Overlay application**

F Gap

FAo Upper front overlay

TB Drilling distance

**Drilling distance TB**

MD	Front overlay FA (mm)													
	5	6	7	8	9	10	11	12	13	14	15	16	17	18
0										3	4	5	6	7
3							3	4	5	6	7			
6				3	4	5	6	7						
9	3	4	5	6	7									

MD Mounting plate spacing (mm)

**Minimum gap F for fronts with a front radius (R = 1 mm) based on the factory setting**

Drilling distance TB (mm)	Front thickness FD (mm)												
	16	18	19	20	21	22	23	24	25	26	28	30	
3	0.5	0.8	1.0	1.2	1.5	1.8	2.2	2.7	3.5	4.3	Δ	Δ	
4	0.5	0.8	1.0	1.2	1.4	1.7	2.0	2.5	3.1	3.8	Δ	Δ	
5	0.5	0.8	0.9	1.2	1.4	1.7	2.0	2.4	2.9	3.4	Δ	Δ	
6	0.5	0.8	0.9	1.2	1.3	1.6	1.9	2.3	2.7	3.2	Δ	Δ	
7	0.5	0.8	0.9	1.1	1.3	1.6	1.9	2.2	2.6	3.0	Δ	Δ	
Δ A trial application is recommended	For +2 mm height adjustment, add:												
	+0.2	+0.4	+0.4	+0.5	+0.5	+0.5	+0.5	+0.5	+0.5	+0.5	+0.5		

**Screw-on assembly**

**INSERTA | knock-in assembly**

**Hinge boss dimensions**

( ) INSERTA

Further planning information for TIP-ON – see page 52

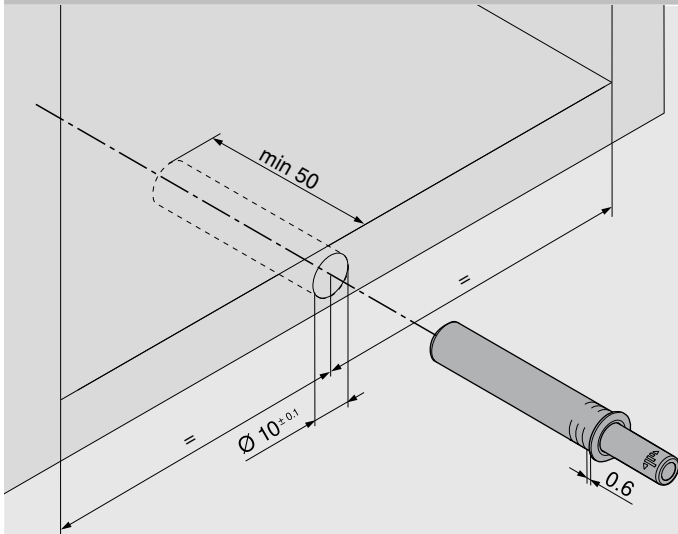


Find more information on assembly and adjustment of AVENTOS HK-XS at [www.blum.com/aventos-hkxs-assembly](http://www.blum.com/aventos-hkxs-assembly)

TIP-ON

Planning

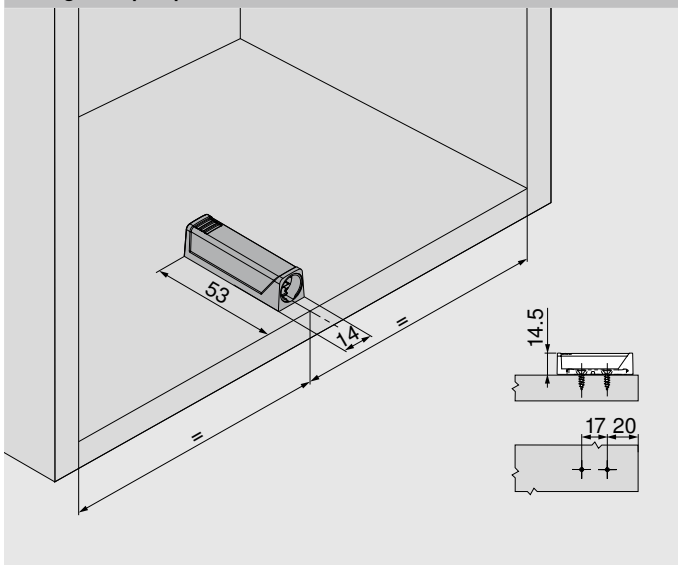
TIP-ON for drilling fixing position



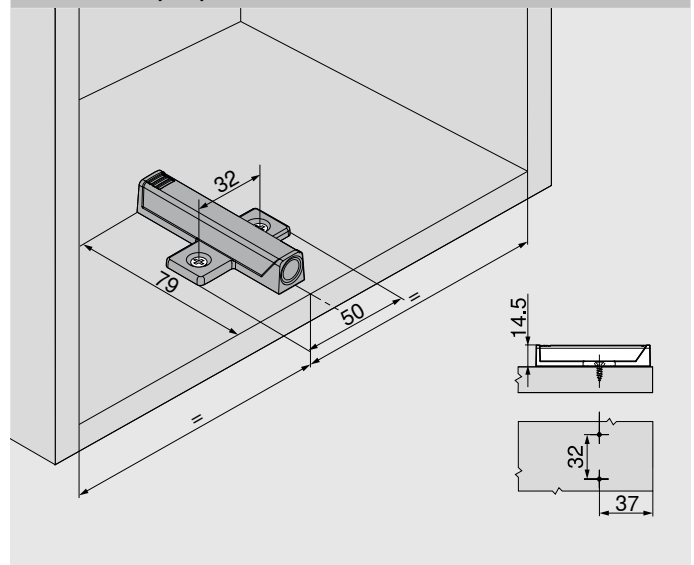
For stay lifts up to and including a height of 600 mm

TIP-ON adapter plate fixing position

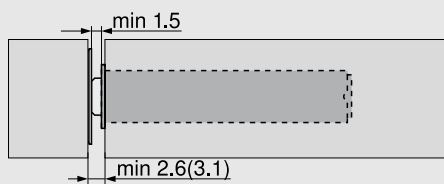
Straight adapter plate – short version



Cruciform adapter plate



Installation dimensions for front gap



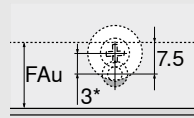
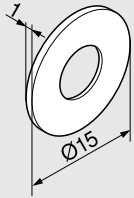
min. 2.6 mm with glue-on catch plate

( ) min. 3.1 mm with screw-on catch plate

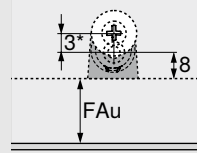
TIP-ON

Planning

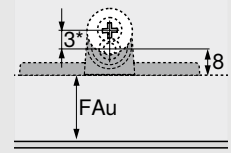
Screw-on catch plate planning



For drilling



Straight adapter plate

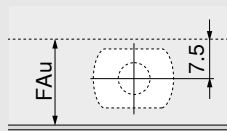
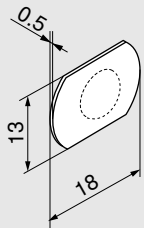


Cruciform adapter plate

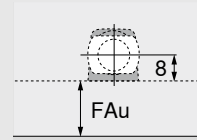
\* For the screw-on catch plate we recommend positioning the catch plate 3 mm away from TIP-ON.

FAu Bottom front overlay

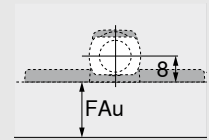
Glue-on catch plate planning



For drilling



Straight adapter plate




Cruciform adapter plate

FAu Bottom front overlay

**EXPANDO T**


- EXPANDO T – pre-assembled fixing system
- Thin fronts of 8 mm or more
- Different front materials
- 3 different applications – lift systems | hinge systems | box systems

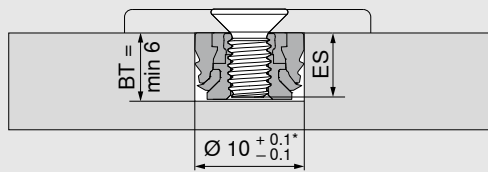
**Front fixing bracket for AVENTOS HS top | HL top | HK top**

	Version	Material	
	Symmetrical	Steel	20S42T1

Fixing positions as per the details in the respective planning information

**EXPANDO T – single**

	Colour	Material	
	Dark grey	Nylon/steel	70T4532T

**Drilling depth | Screw selection – EXPANDO T**


BT Drilling depth

ES Screw penetration depth

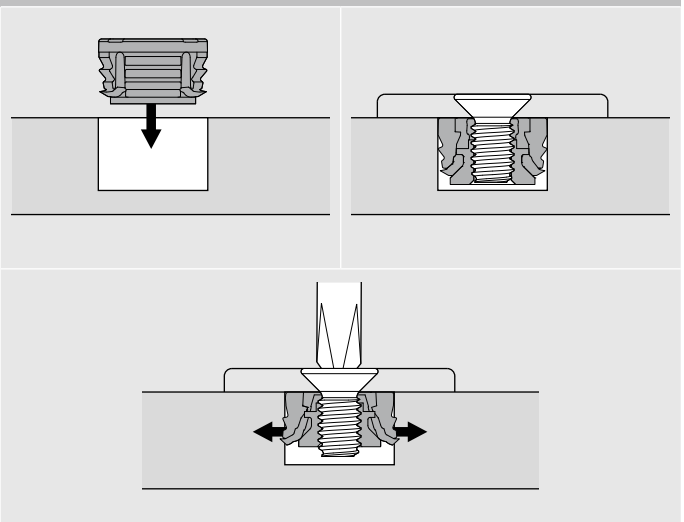
ES Min. 4 mm

ES Max. drilling depth – 0.5 mm

\* Stone and ceramic +0.2/-0.1 mm

Screws with M4 thread have to be used for EXPANDO T single

The lowest possible drilling depth should be selected for the single dowel depending on the screw length

**Assembly – EXPANDO T**

**Area of application and assembly recommendation**

EXPANDO T is suitable for fixing Blum fittings to thin cabinet fronts of all types of materials. Front materials can be just 8 mm thick or more, provided they are sufficiently stable and strong.

Nm Minimum tightening torque

Materials tested by Blum	Nm
Chipboard (transverse tensile strength > 0.4 N/mm <sup>2</sup> )	1.5
MDF (transverse tensile strength > 0.6 N/mm <sup>2</sup> )	1.5
HDF	2
HPL	2
Mineral composites	2
Granite stone – nero assoluto	3
Artificial stone – quartz composite	3
Ceramic panels	3

**Limitation of liability**

Blum accepts no liability for the use of EXPANDO T in combination with materials not listed or fittings from other manufacturers. It is recommended that assembly be carried out by an experienced furniture manufacturer.



Find more information on assembly and adjustment of EXPANDO T at

[www.blum.com/expando-t-9](http://www.blum.com/expando-t-9)

Assembly devices

Front assembly		
	Universal drilling template	ZML.0040.02
	Angle template	65.5300
	Marking template for AVENTOS HK top front fixing bracket	ZML.2200

Cabinet assembly		
	Universal individual template	65.1051.02
	Universal rod template	65.1000.01
	Universal marking template	65.5340.01

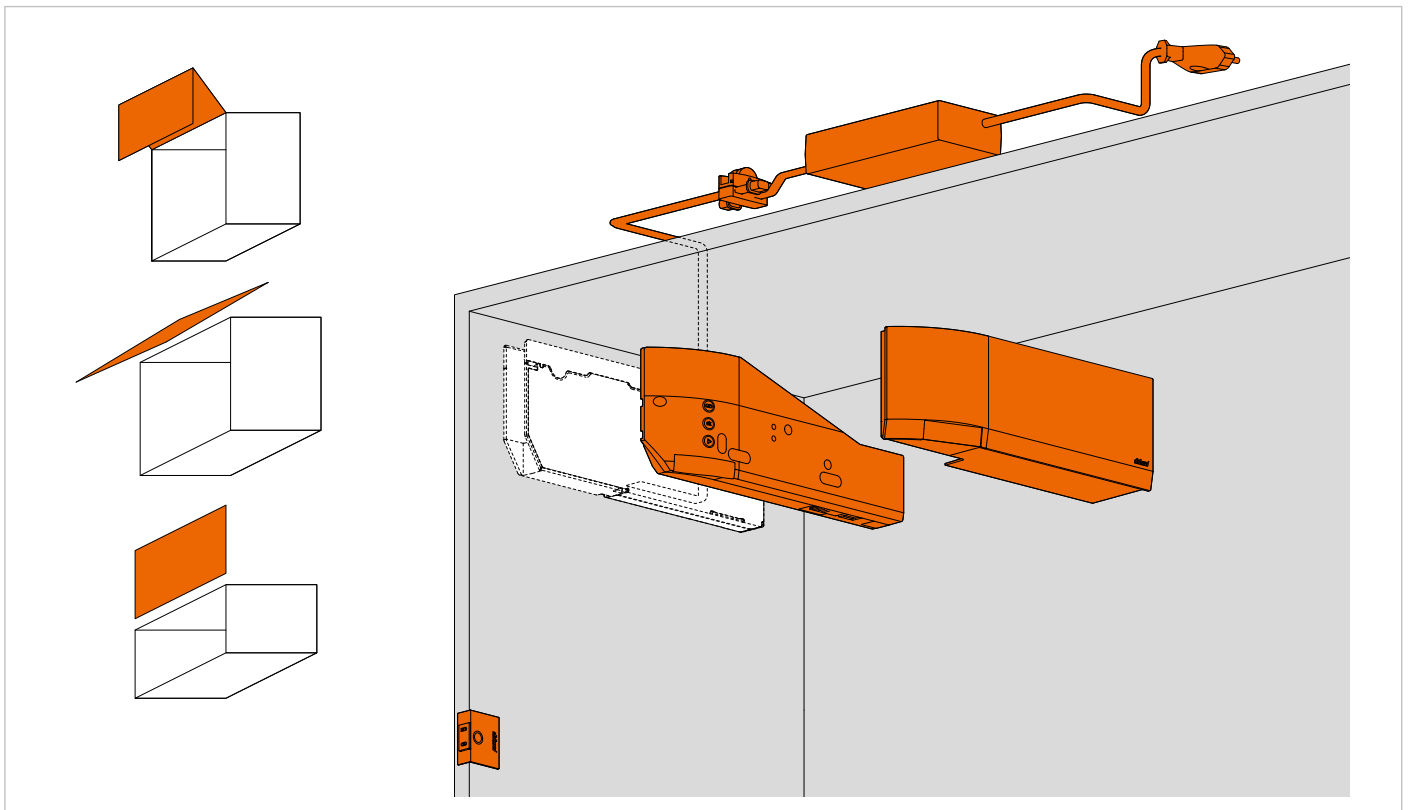
Assembly – hinge systems								
	Angle template	65.5300						
	Drilling template for mounting plates	65.5070						
	Drilling template for hinges	<table border="1"> <tr> <td>Ø (mm)</td> <td></td> </tr> <tr> <td>8   2.5</td> <td>65.059A</td> </tr> <tr> <td>2.5</td> <td>65.055A</td> </tr> </table>	Ø (mm)		8   2.5	65.059A	2.5	65.055A
Ø (mm)								
8   2.5	65.059A							
2.5	65.055A							
	ECODRILL	M31.1000						
	Drilling template for hinge systems	65.7500.03						
	Insertion tool for hinges	ZME.0710						
	Insertion tool for mounting plates							
	Mounting plate	65.6100						
	Steel horizontal mounting plate	ZME.0730						
	Universal marking template	65.5340.01						

Assembly – SERVO-DRIVE		
	Drilling template for Blum distance bumper	ZML.1090
	Drilling template for the SERVO-DRIVE switch	M31.2000

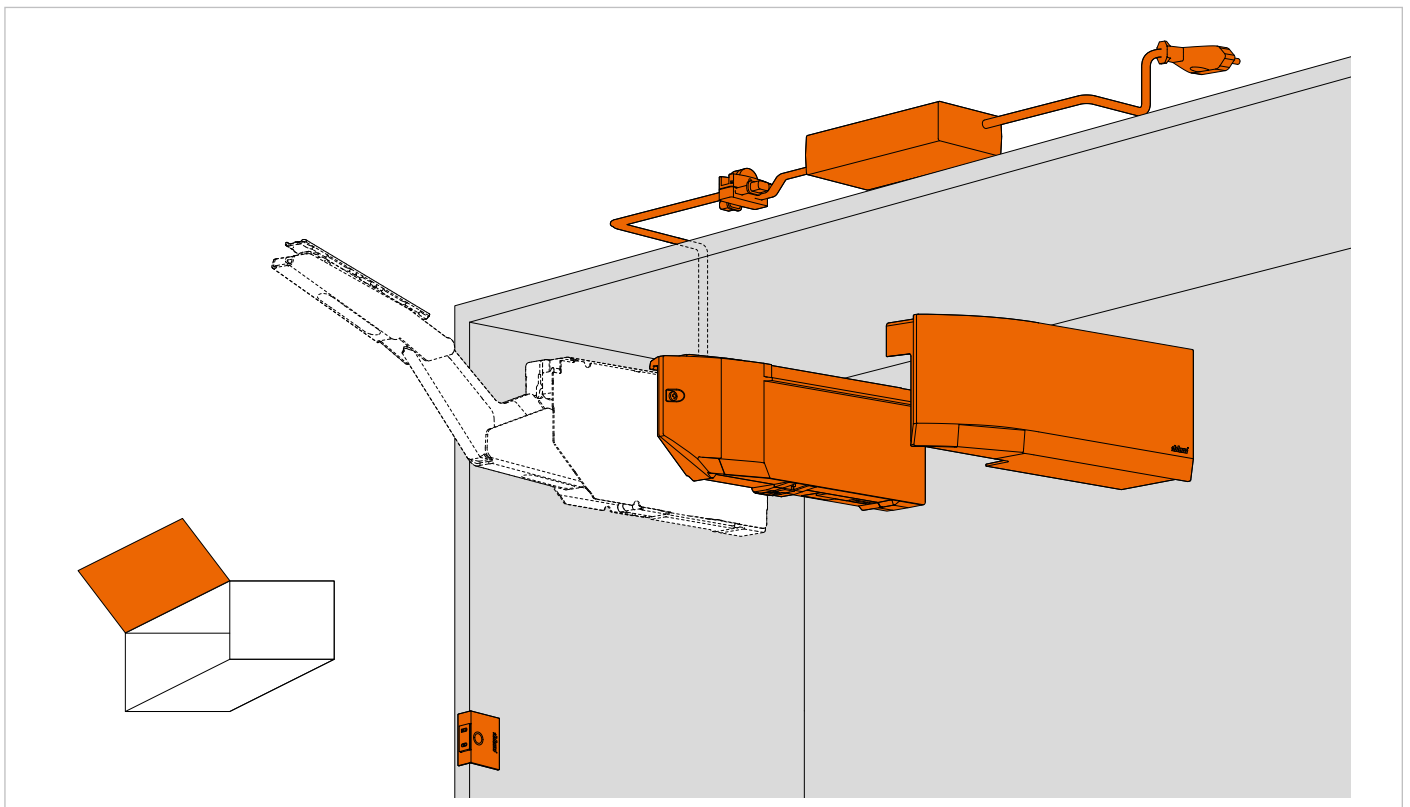
Assembly – TIP-ON		
	Positioning template for catch plate	65.5210.01
	Drilling template for BLUMOTION   TIP-ON	65.5010

**SERVO-DRIVE power supply unit and accessories**

**SERVO-DRIVE for AVENTOS HF top, HS top, HL top**



**SERVO-DRIVE for AVENTOS HK top**





SERVO-DRIVE power supply unit and accessories

Ordering information

1 SERVO-DRIVE power supply unit incl. flex					
Markets	Language package		Markets	Language package	
E	A	Z10NE04EA	I	A	Z10NE04IA
E	B	Z10NE04EB	K	I	Z10NE04KI
E	C	Z10NE04EC	N	H	Z10NE04NH
E	D	Z10NE04ED	R	H	Z10NE04RH
E	E	Z10NE04EE	S	K	Z10NE04SK
E	F	Z10NE04EF	T	H	Z10NE04TH
E	I	Z10NE04EI	U	G	Z10NE04UG
B	A	Z10NE04BA	U	J	Z10NE04UJ
B	I	Z10NE04BI	Z	I	Z10NE04ZI
H	I	Z10NE04HI			
Incl. operating and installation instructions					
Consisting of:					
1a	1 x	SERVO-DRIVE power supply unit			
1b	1 x	Flex			
2 Power supply unit housing					
Panel fixing					
		Colour			Material
		WGR			K
					Z10NG120
For SERVO-DRIVE power supply unit					

Alternative to 1 | 2

3 SERVO-DRIVE plug-in power supply unit					
Only suitable for one drive unit					
Markets	Language package		Markets	Language package	
E	A	☎ Z10NA40EA	B	A	☎ Z10NA40BA
E	B	☎ Z10NA40EB	K	I	☎ Z10NA40KI
E	C	☎ Z10NA40EC	N	H	☎ Z10NA40NH
E	D	☎ Z10NA40ED	U	G	☎ Z10NA40UG
E	E	☎ Z10NA40EE	U	J	☎ Z10NA40UJ
E	F	☎ Z10NA40EF			
☎ Other combinations available upon request					
Consisting of:					
3a	1 x	SERVO-DRIVE plug-in power supply unit			
3b	1 x	Cable, 1120 mm (with SERVO-DRIVE distribution cable extendible to max. 2000 mm)			

Accessories

4 SERVO-DRIVE distribution cable and cable end protector			
		Colour	Length (m)
		S	8
		Z10K800AE	
Consisting of:			
4a	1 x	SERVO-DRIVE distribution cable	
4b	5 x	Cable end protector	
For cutting to size			
4 Connecting node and cable end protector			
		Colour	Material
		S	K
		Z10V100E.01	
Consisting of:			
4a	1 x	Connecting node	
4b	2 x	Cable end protector	
- Cable holder			
		Colour	Material
		W	K
		Z10K0009	
E.g. for fixing the SERVO-DRIVE distribution cable			

Markets and language packages

Name			
Markets		Language packages*	
E	Europa	A	DE, EN, FR, IT, NL
B	UK	B	DA, EN, FI, NO, SV
H	IN	C	EL, EN, HR, SR, SL, TR
I	IL	D	EN, ES, FR, IT, PT
K	AU	E	CS, HU, PL, SK
N	CN	F	BG, ET, LV, LT, RO, RU, UK
R	KR	G	EN, ES, FR
S	BR	H	EN, ZH, KO
T	TW	I	EN
U	US   CA	J	JA
Z	ZA	K	EN, ES, PT

\* Language descriptions as per ISO-639

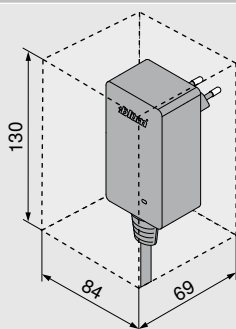
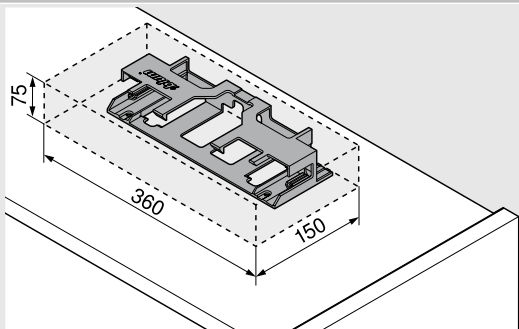
Colours and material

Name	
WGR	White grey
S	Black
W	White
K	Nylon

## SERVO-DRIVE power supply unit and accessories

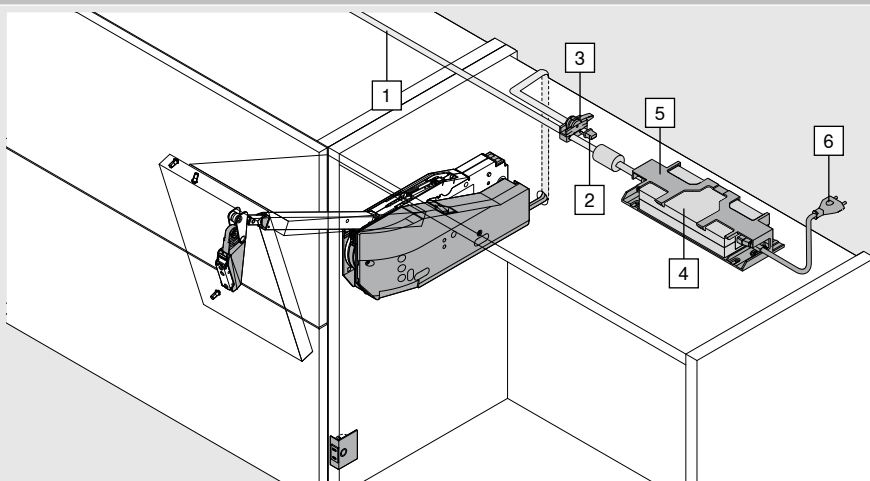
### Planning

#### Space requirement and safety distance



**i** A safety distance of 30 mm must be maintained for air circulation (see graphic); otherwise, there is a risk that the SERVO-DRIVE power supply unit or SERVO-DRIVE plug-in power supply unit could overheat.

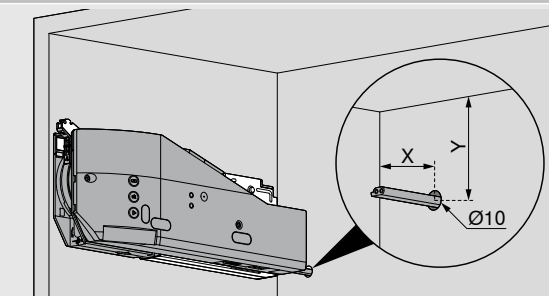
#### Assembly on the cabinet top panel



- 1 SERVO-DRIVE distribution cable
- 2 Connecting node
- 3 Cable end protector
- 4 SERVO-DRIVE power supply unit
- 5 Power supply unit housing
- 6 Flex

**i** Only one SERVO-DRIVE power supply unit can be connected to each SERVO-DRIVE distribution cable!

#### Back cabling

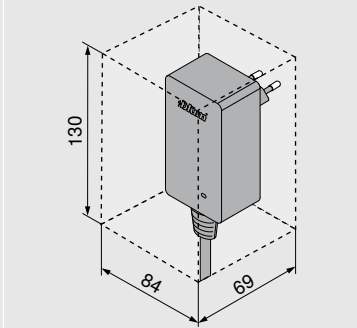
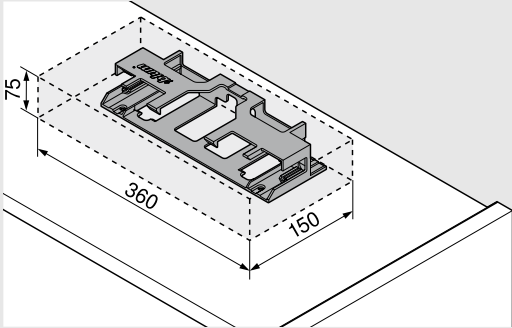


		X (mm)	Y (mm)
AVENTOS HF top	Cabinet height KH (mm)	480–519	102
		520–1200	124
AVENTOS HS top		38.5	45
AVENTOS HL top		38.5	71

SERVO-DRIVE power supply unit and accessories

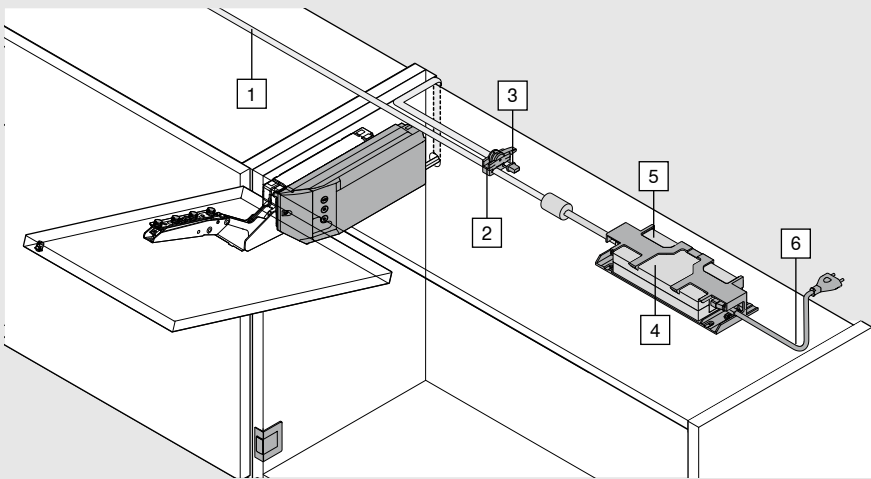
Planning

Space requirement and safety distance



**i** A safety distance of 30 mm must be maintained for air circulation (see graphic); otherwise, there is a risk that the SERVO-DRIVE power supply unit or SERVO-DRIVE plug-in power supply unit could overheat.

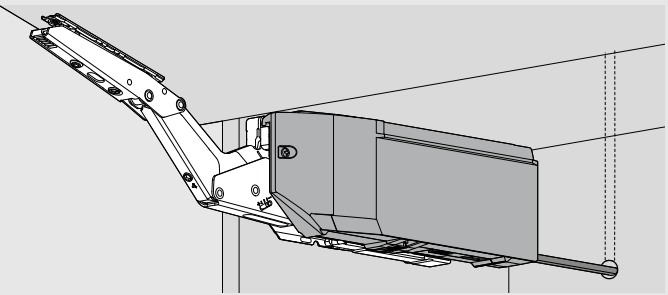
Assembly on the cabinet top panel



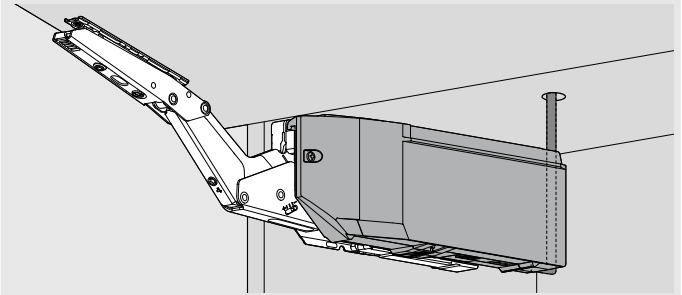
- 1 SERVO-DRIVE distribution cable
- 2 Connecting node
- 3 Cable end protector
- 4 SERVO-DRIVE power supply unit
- 5 Power supply unit housing
- 6 Flex

**i** Only one SERVO-DRIVE power supply unit can be connected to each SERVO-DRIVE distribution cable!

Back cabling



Top cabling



Find more information on assembly and adjustment of SERVO-DRIVE for AVENTOS top at [www.blum.com/servodrive-aventos-assembly](http://www.blum.com/servodrive-aventos-assembly)

Julius Blum GmbH  
Furniture Fittings Mfg.  
6973 Höchst, Austria  
Tel.: +43 5578 705-0  
Fax: +43 5578 705-44  
E-mail: [info@blum.com](mailto:info@blum.com)  
[www.blum.com](http://www.blum.com)

Our sites in Austria, Poland and China are certified to the international standards mentioned below.  
Our site in the USA is certified to ISO 9001.  
Our site in Brazil is certified to ISO 9001, ISO 14001 and ISO 45001.



**ISO 9001**  
Certified Quality  
System



**ISO 14001**  
Certified Environmental  
System



**ISO 50001**  
Certified Energy  
System

 **blum**®



Look for our  
FSC™-certified  
products

All content is copyrighted by Blum.  
Subject to technical modifications and changes to the range without notice.  
IDNR: 793.316.1 · EP-609/1 EN-AL/09.23